

VANDAL RESISTANT SPEAKER

Jacques SVR-100

DESCRIPTION

The JACQUES SVR-100 is a vandal and water resistant flush mounted speaker, which provides optimum audio quality in high security areas.

The unit consists of an integrated 316-type marine grade stainless steel front grill with steel baffle plates for vandal resistance and an integrated, weather proof speaker with a 100V line transformer. Both 15 Watt and 5 Watt versions are available.

To prevent damage from obtruding objects entering the speaker, the holes in the baffle plates are offset providing complete protection to the speaker assembly.

In addition, the speaker cone is manufactured from a special water resistant material providing excellent water resistant qualities.

A 5 Watt 100 mm diameter speaker with a 5 Watt multi tap 100V line transformer is offered as standard.



FEATURES

- High-quality, water-resistant, 100 mm dual cone speaker
- 100V line transformer, with 1.25, 2.5, 5, 10 and 15 Watt tapings and 0.33, 0.66, 1.25, 2.5, and 5 Watt tapings
- 2 mm, 316-type Stainless Steel front grill
- Flush mounting with optional surface mount back box available (CSH-1)

APPLICATIONS

The SVR-100 speaker is ideal for any application that is subject to vandalism and water problems such as:

- Prison/Police station complexes
- Shopping centres and malls
- Schools and Universities
- Train and Bus Stations
- Car Parks and passageways
- Parks and Public areas where clear public address and music reproduction are required

ORDERING INFORMATION

Contact a Jacques Sales Representative:

Phone: +61 7 3844 1103 for your sales quote

Email: sales@jacques.com.au

www.jacques.com.au

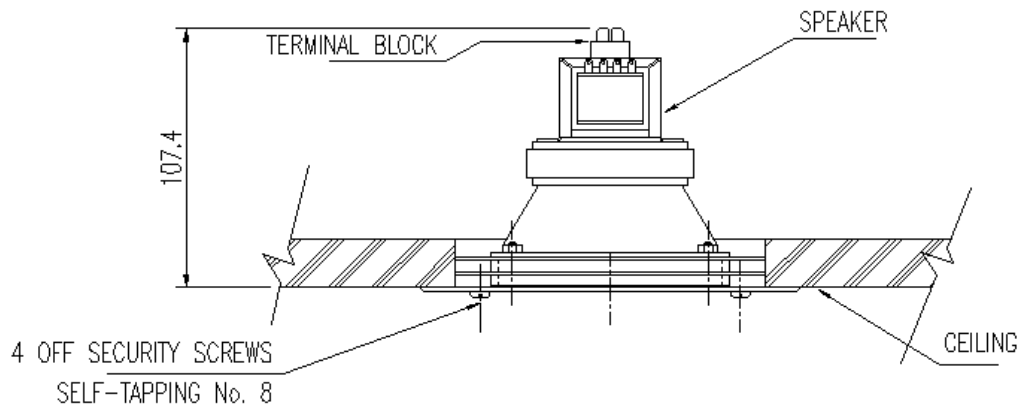
Rev 090304

 **JACQUES**
Future Proof Communications

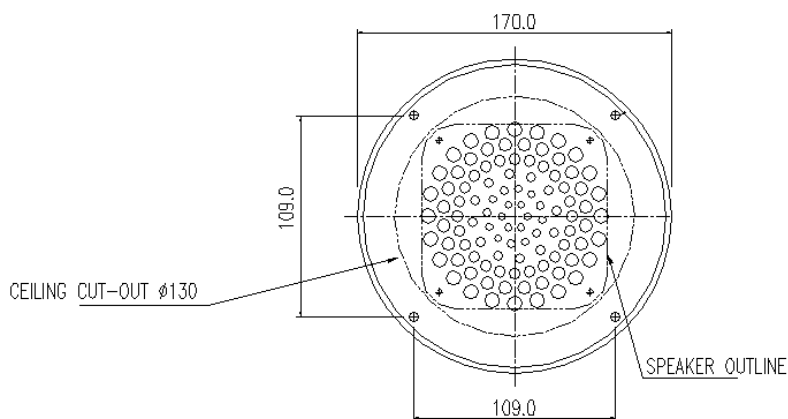
VANDAL RESISTANT SPEAKER

Jacques SVR-100

SIDE INSTALLATION VIEW



TOP INSTALLATION VIEW



SURFACE MOUNT BACK BOX



SPECIFICATIONS

- Input Power: 8 Watts RMS
- Max Input Power: available in 5W or 15W versions
- Impedance: 8Ω or 100V line
 - 5 Watt Version 0.33, 0.66, 1.25, 2.5, 5.0
 - 15 Watt Version 1.25, 2.5, 5.0, 10.0, 15.0
- Resonant Frequency: 120Hz
- Frequency Response: 120Hz - 20kHz
- SPL (1W @ 1m): 95dB
- Front plate: 2 mm Grade 316 Marine Stainless Steel finish (SVR-100S)
- Baffle plate: 1 mm Zinc Coated Steel
- Speaker: 100 mm diameter
- Ceiling cut-out size: 130 mm diameter
- Diameter: 170 mm, Depth: 130 mm
- Part numbers:
 - SVR-100 15W 50007
 - SVR-100 5W 50909
 - Back Box CSH-1 50620

ORDERING INFORMATION

Contact a Jacques Sales Representative:
Phone: +61 7 3844 1103 for your sales quote
Email: sales@jacques.com.au
www.jacques.com.au

Rev 090304

 **JACQUES**
Future Proof Communications