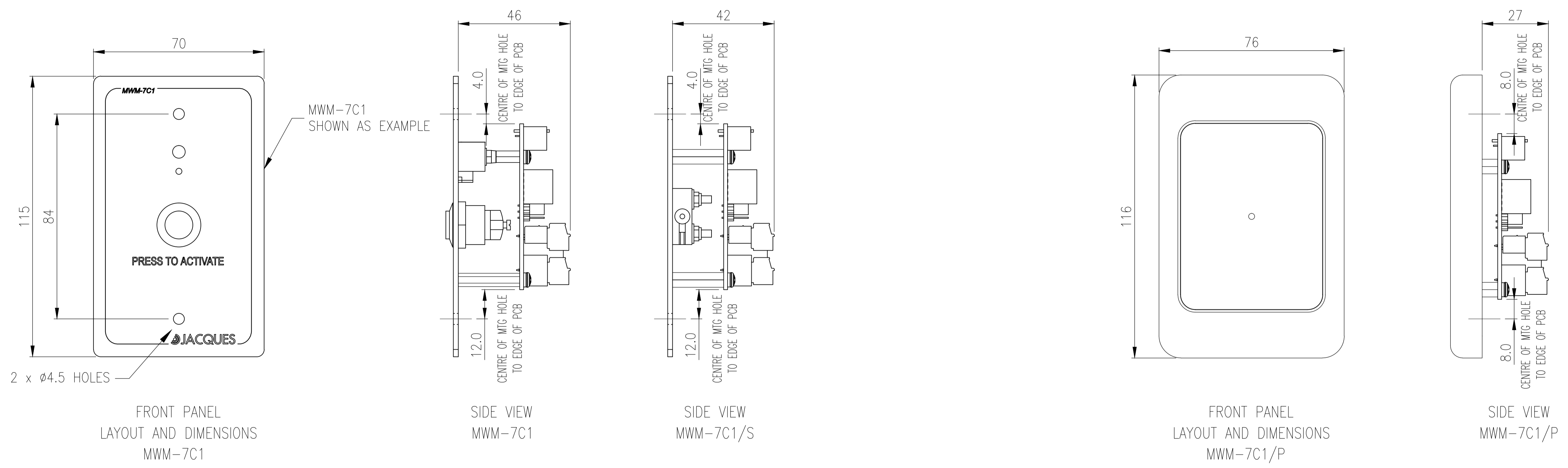


DO NOT SCALE

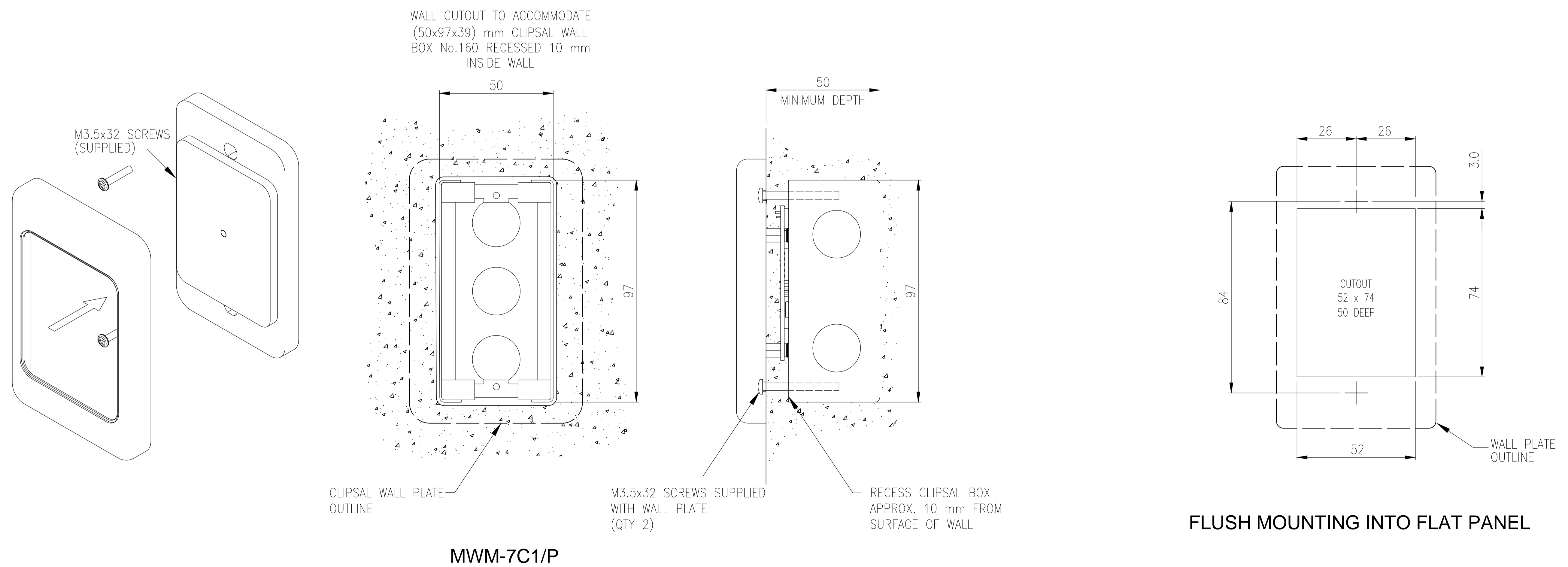
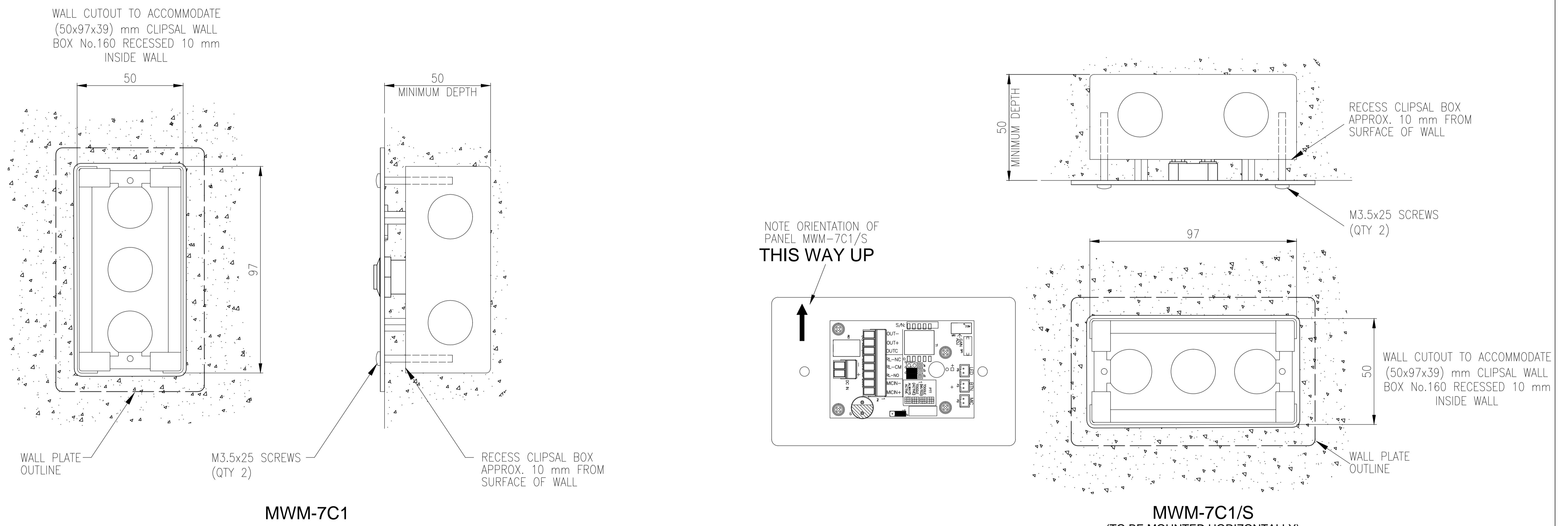
IF IN DOUBT - ASK!

MICROPHONE WALL MODULE INSTALLATION DETAILS

MODELS:
MWM-7C1 (P/N 51158)
MWM-7C1/P (P/N 51157)
MWM-7C1/S (P/N 51489)



FLUSH WALL MOUNTING
(USING CLIPSAL No. 160 BACKBOX)



REV	DATE	CHANGE DESCRIPTION	BY
1	2014-08-26	DRAWING FRAME UPDATED. WIRING DIAGRAM (SHEET 2) ADDED.	LFB

JACQUES
Future Proof Communications

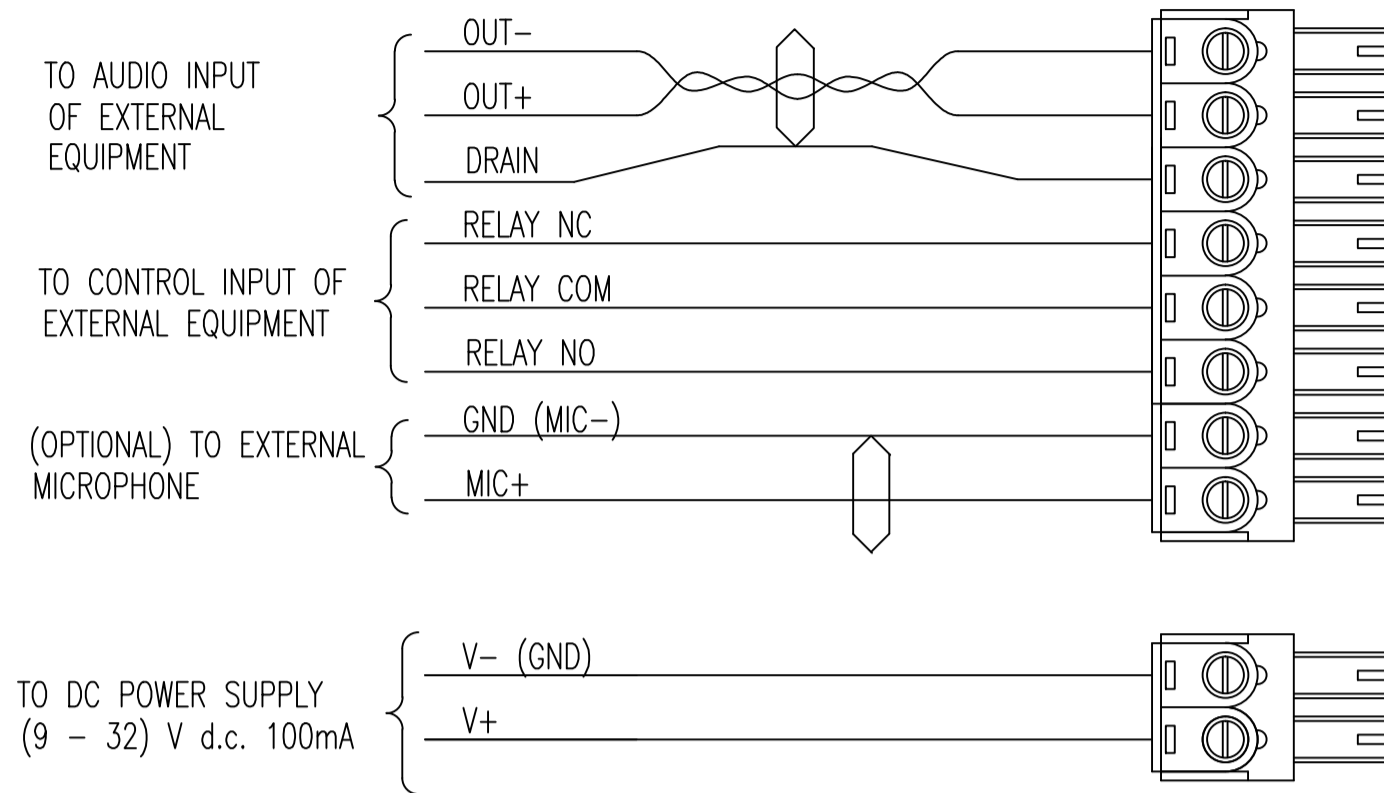
(C) Copyright Jacques Technologies Pty Ltd. All rights reserved.
268 Montague Rd., West End, 4101, Australia
Ph: +61 7 3846 8400 Fax: +61 7 3844 1078
www.jacques.com.au info@jacques.com.au

MWM-7C1xx MICROPHONE WALL MOUNTING		FILENAME:	MWM-7C1xx-INS.dwg
DRAWN:	DATE:	ADAPTED FROM:	N/A
LFB	2012-02-08	SCALE:	N.T.S.
CHECKED:	DATE:	SHEET:	1 of 2
APPROVED:	DATE:	DWG NO:	MWM-7C1xx-INS
		REV:	1

DO NOT SCALE

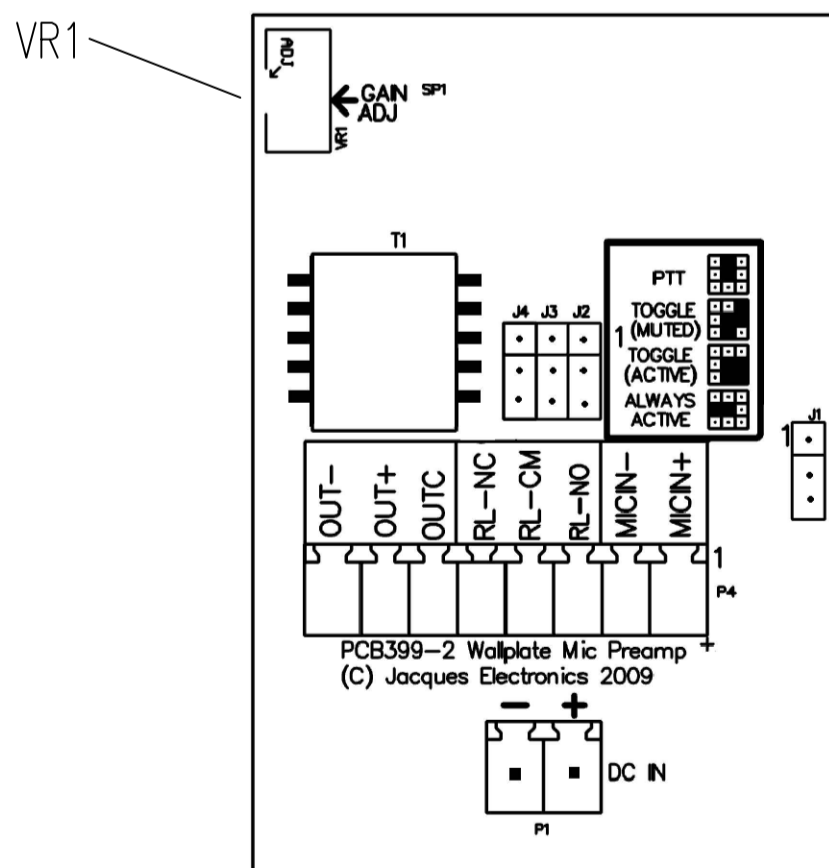
IF IN DOUBT - ASK!

MICROPHONE WALL MODULE WIRING INFORMATION

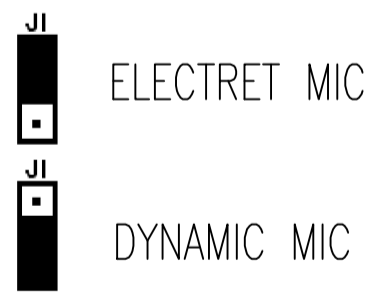


NOTES

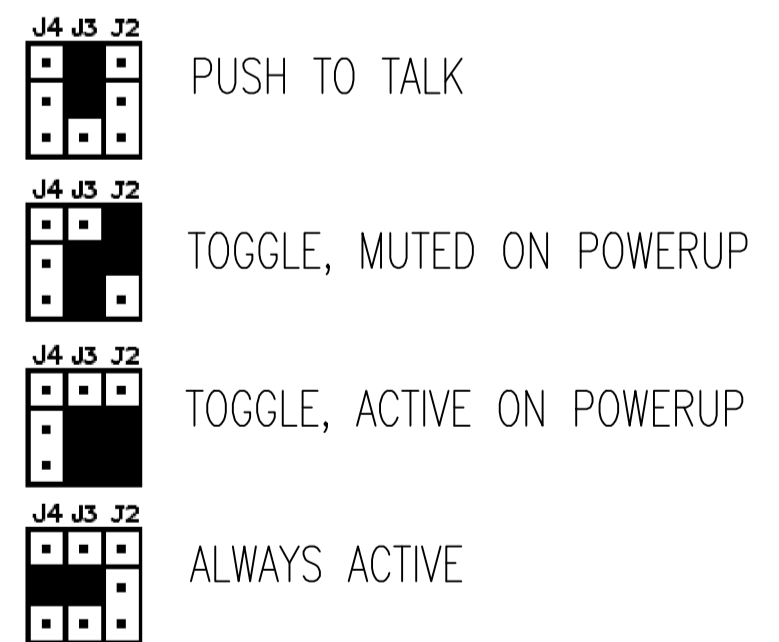
1. MICROPHONE OUTPUT IS TRANSFORMER COUPLED BALANCED 600 OHM ISOLATED
2. FOR UNBALANCED USAGE, CONNECT OUT+ TO INPUT, AND OUT- TO EARTH/GROUND
3. 8-WAY CONNECTOR TYPE IS PHOENIX MC 1,5/8-ST-3,81 OR EQUIVALENT
4. 2-WAY CONNECTOR TYPE IS PHOENIX MC 1,5/2-ST-3,81 OT EQUIVALENT
5. CONNECTORS ARE SUPPLIED WITH UNIT
6. MICROPHONE GAIN IS ADJUSTABLE WITH THE VR1 POTENTIOMETER CONTROL
7. RELAY CHANGES STATE DEPENDENT ON MICROPHONE STATE
8. RELAY STATE IS OFF WHEN MICROPHONE IS MUTED
9. RELAY CONTACT SPECIFICATION: 24 V @ 2A MAX NON INDUCTIVE
10. JUMPER J1 SETS WHETHER MICROPHONE IS ELECTRET OR DYNAMIC TYPE
11. JUMPER J2 SETS THE STATE OF THE MICROPHONE AFTER POWER FAILURE
12. JUMPER J3 SETS WHETHER THE PUSHBUTTON MUTES/UNMUTES THE MIC IN A MOMENTARY OR LATCHING FASHION
13. JUMPER J4 IS USED IN CONJUNCTION WITH J3 TO SET MIC TO BE ALWAYS ACTIVE



MICROPHONE CONFIGURATION



BUTTON CONFIGURATION



REV	DATE	CHANGE DESCRIPTION	BY
1	2014-08-26	DRAWING FRAME UPDATED. WIRING DIAGRAM (SHEET 2) ADDED.	LFB

JACQUES
Future Proof Communications

MWM-7C1xx MICROPHONE WALL MOUNTING

DRAWN: LFB DATE: 2006-08-03 ADAPTED FROM: N/A FILENAME: MWM-7C1xx-INS.dwg

CHECKED: DATE: SCALE: N.T.S. SHEET: 2 of 2 SIZE: A2

APPROVED: DATE: DWG NO: MWM-7C1xx-INS REV: 1

(C) Copyright Jacques Technologies Pty Ltd. All rights reserved.
268 Montague Rd., West End, 4101, Australia
Ph: +61 7 3846 8400 Fax: +61 7 3844 1078
www.jacques.com.au info@jacques.com.au