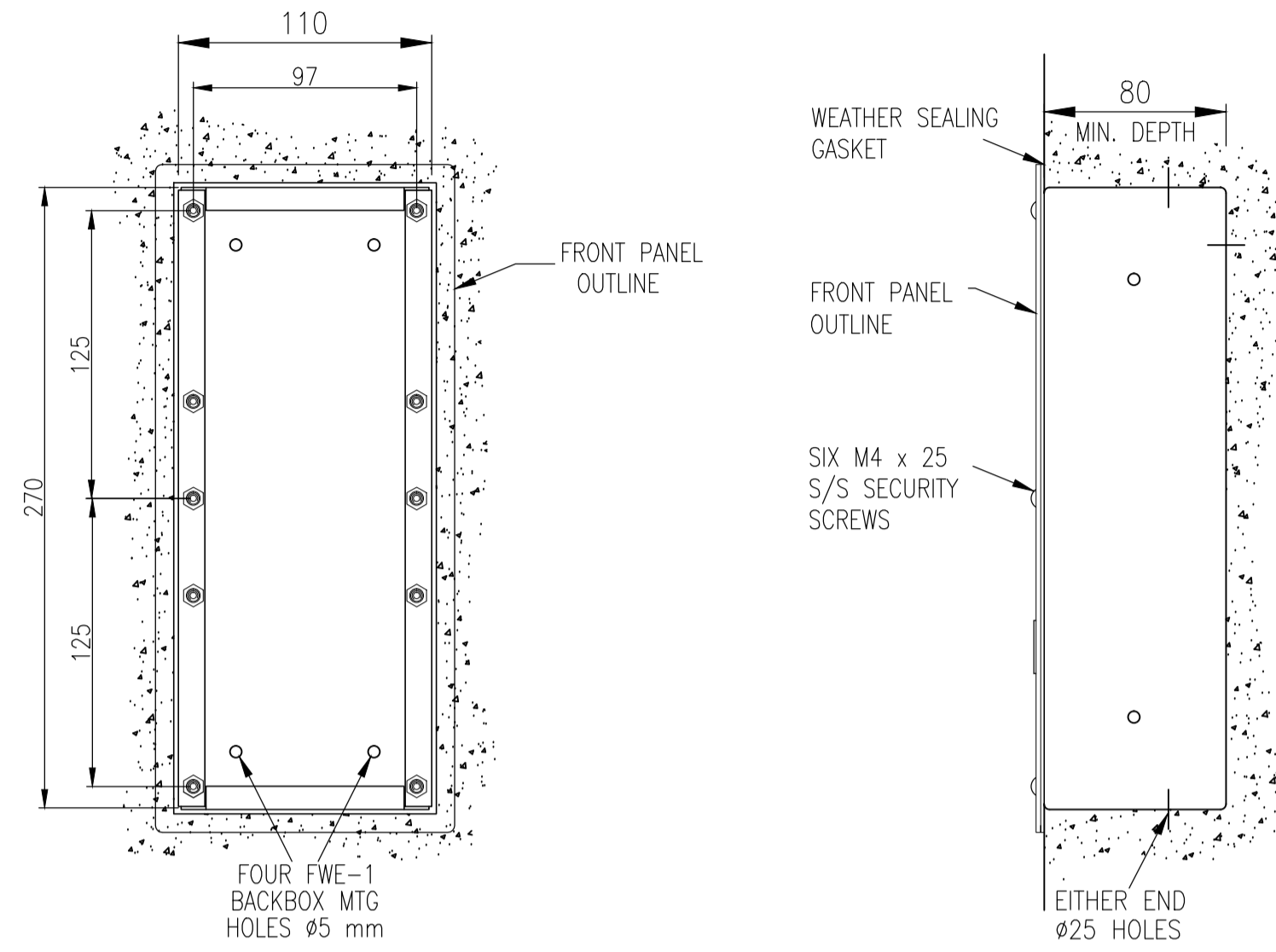


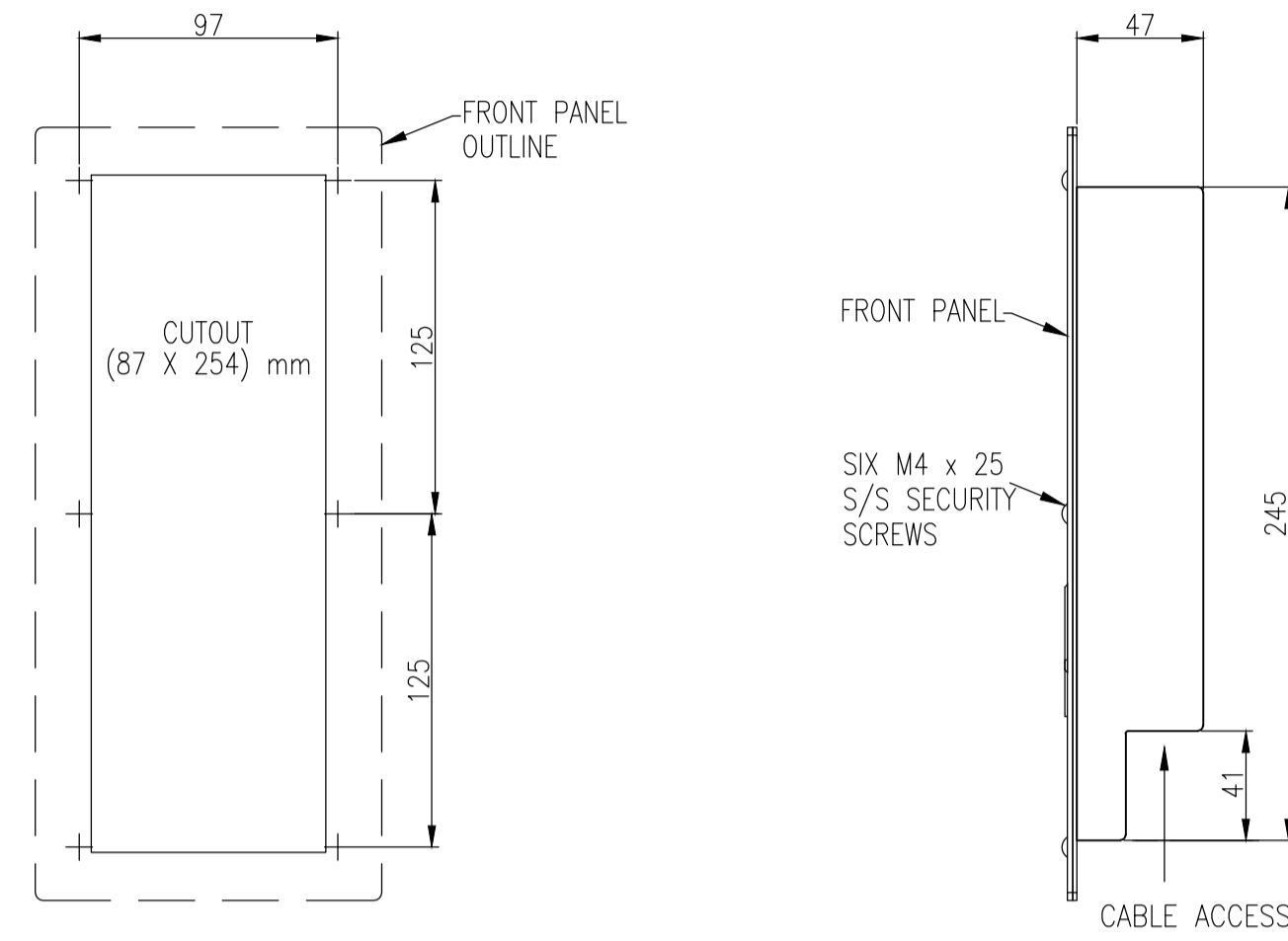
DO NOT SCALE

IF IN DOUBT - ASK!

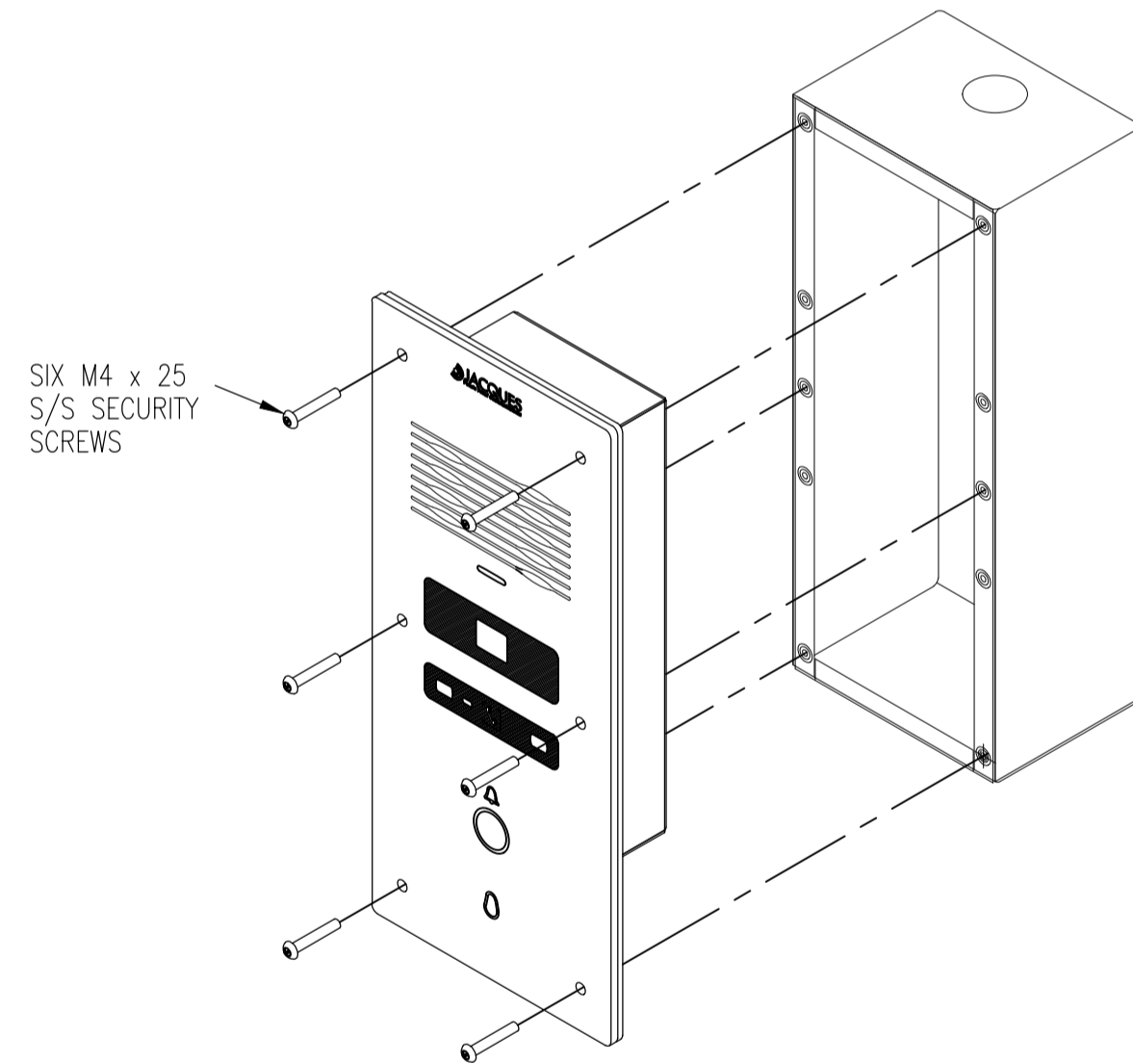
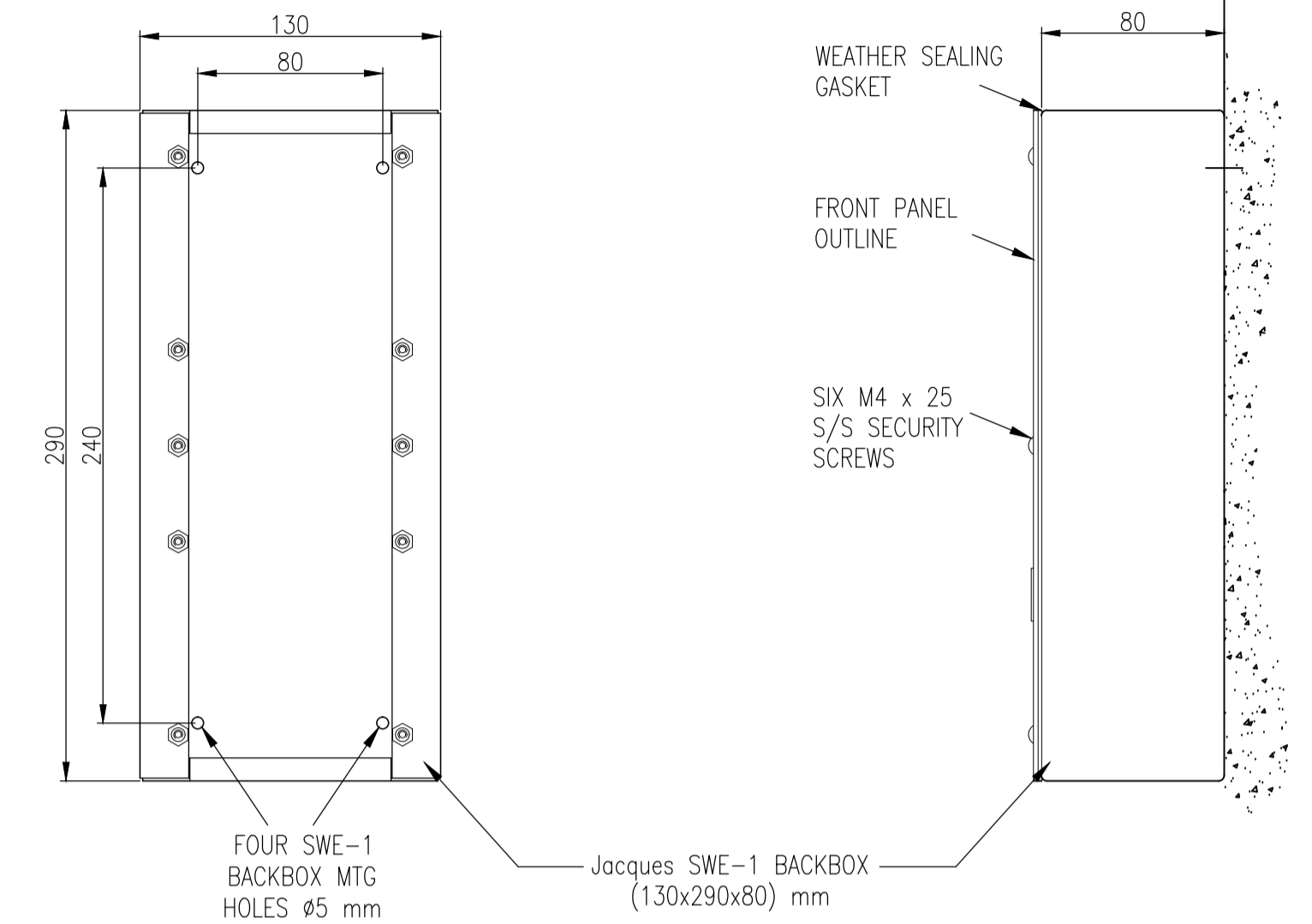
FLUSH WALL MOUNTING USING FWE-1 BACKBOX



FLUSH MOUNTING INTO FLAT PANEL



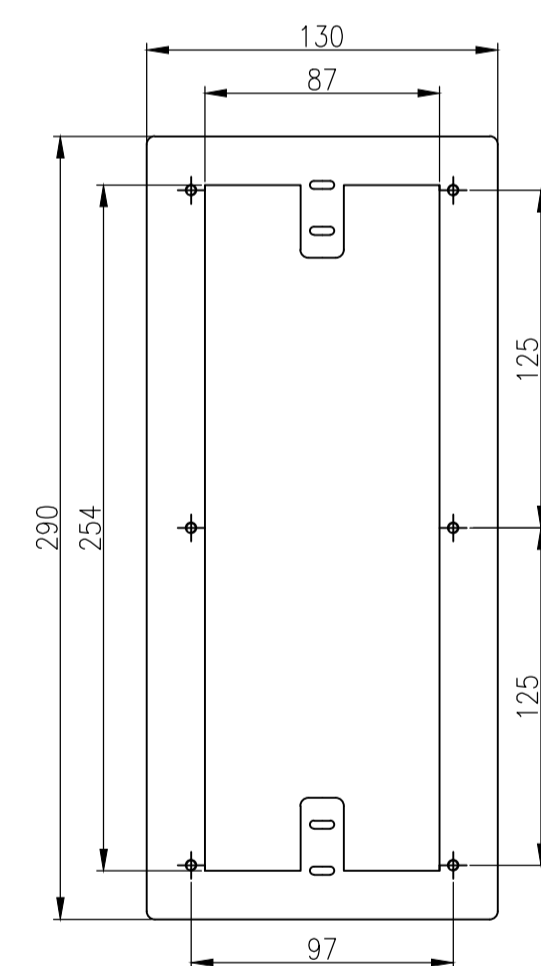
SURFACE WALL MOUNTING USING SWE-1/SWE-9 BACKBOX



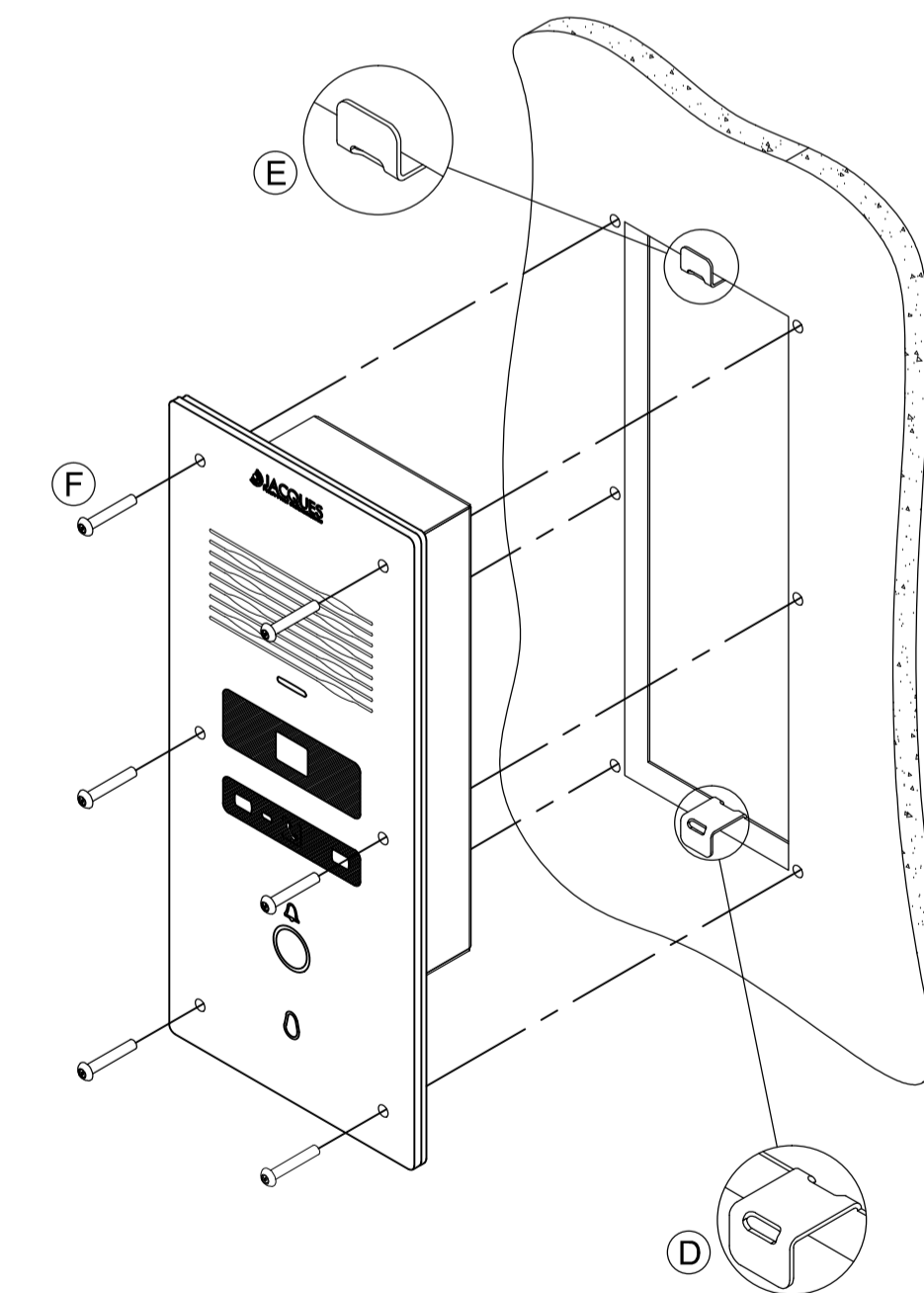
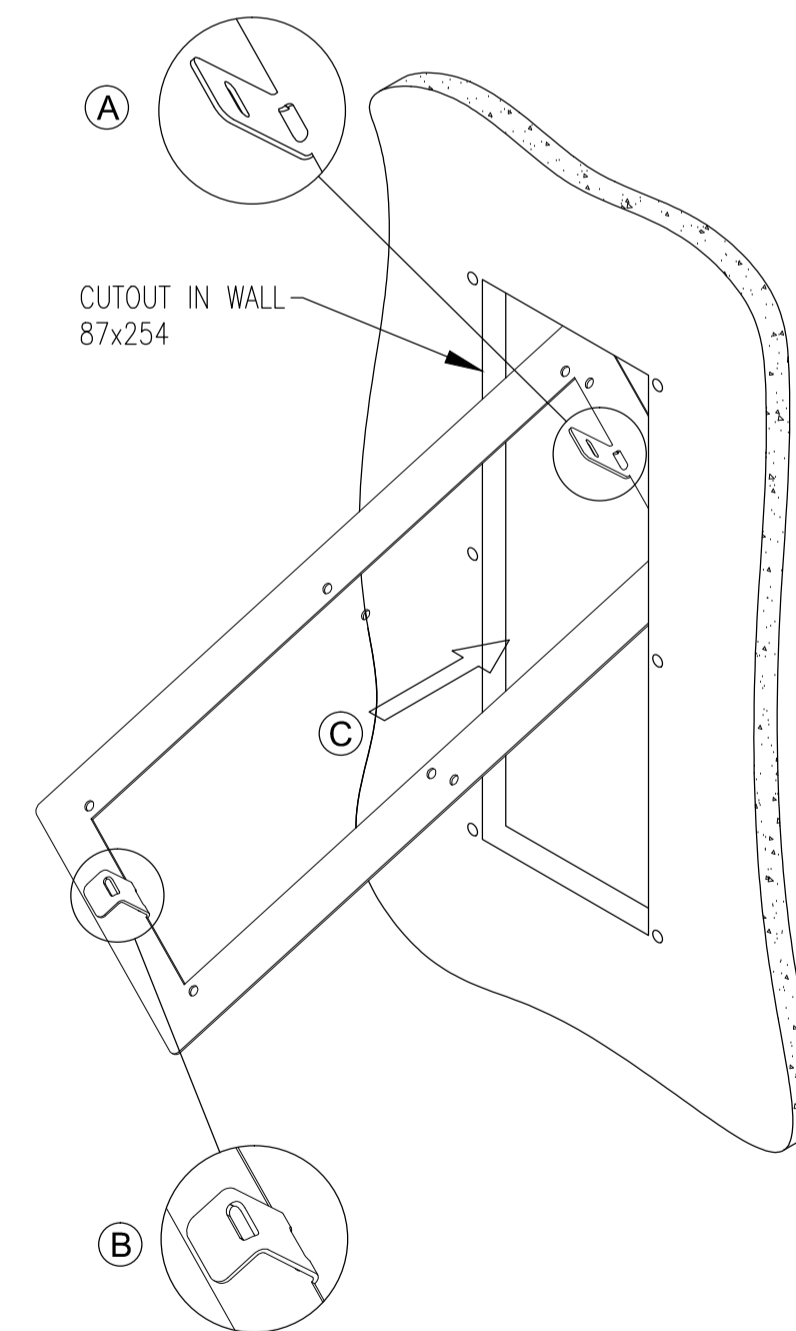
INSTALLATION INSTRUCTIONS:

1. FWE-1 IS USED FOR CONCRETE OR MASONRY WALL INSTALLATIONS.
2. CUT OUT OR USE A FORMED IN PLACE CAVITY OF THE SIZE NOTED.
3. MORTAR AND GROUT THE BACKBOX INTO THE WALL CAVITY. MASONRY FIXINGS MAY ALSO BE USED. DRILL HOLES TO SUIT.
4. FIT THE SS VIDEO ENTRANCE STATION IN PLACE USING M4x25 mm SECURITY SCREWS, JACQUES' PART NO. HW684.

PLASTER BOARD WALL MOUNTING

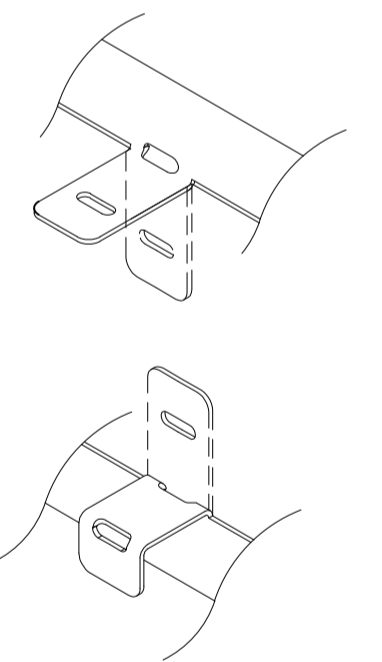


WALL BRACKET (FOR PLASTER BOARD WALL MOUNTING)



INSTALLATION INSTRUCTIONS

1. USE PLASTERBOARD BRACKET AS MARKING GUIDE FOR WALL CUTOUT SIZE AND 6 MOUNTING POSITIONS IN WALL.
2. BEND THE UPPER TAB IN BRACKET AS SHOWN. (A)
3. BEND THE LOWER TAB IN BRACKET AS SHOWN. (B)
4. INSERT WALL BRACKET THROUGH CUTOUT AT ANGLE SHOWN. ROTATE BRACKET TO VERTICAL POSITION UP AGAINST BACK OF PLASTER BOARD WALL. (C)
5. HOOK LOWER TAB OVER EDGE OF CUTOUT AS SHOWN. (D)
6. FOLD UPPER TAB OVER CUTOUT EDGE AS SHOWN. (E)
7. FIT UNIT WITH 6 M4x25 mm S/S SECURITY SCREWS. (F)



REV	DATE	CHANGE DESCRIPTION	BY
1	2010-03-11	PLASTER BOARD WALL MOUNTING ADDED.	LFB
2	2010-07-20	FWE-1 BACKBOX DIMENSIONS CORRECTED TO SHOW 110 x 270. 4 NUTSERTS ADDED TO SWE-1/SWE-9. VIEW SHOWING CONNECTORS UPDATED.	LFB
3	2010-10-05	DRAWING NUMBER WAS 51423. SHEET 1, SHOWING MOUNTING HEIGHT DETAIL, ADDED.	LFB
4	2011-02-14	(to centre of bottom) CORRECTED TO READ (to centre of button).	LFB
5	2014-04-02	REVISION CORRECTED ON SHEET 2. NEW DRAWING FRAME ADDED.	LFB



(C) Copyright Jacques Electronics Pty Ltd. All rights reserved.
268 Montague Rd., West End, 4101, Australia
Ph: +61 7 3844 1078 Fax: +61 7 3844 1078
www.jacques.com.au info@jacques.com.au

VES-74x VIDEO INTERCOM S/S ENTRANCE STATION

DRAWN:	DATE:	ADAPTED FROM:	FILENAME:
LFB	2010-02-10	51423 INS	VES-74x-INS.dwg
CHECKED:	DATE:	SCALE:	SHEET:
		N.T.S.	2 of 2
APPROVED:	DATE:	DWG NO:	REV:
		VES-74x-INS	5

DO NOT SCALE

IF IN DOUBT - ASK!

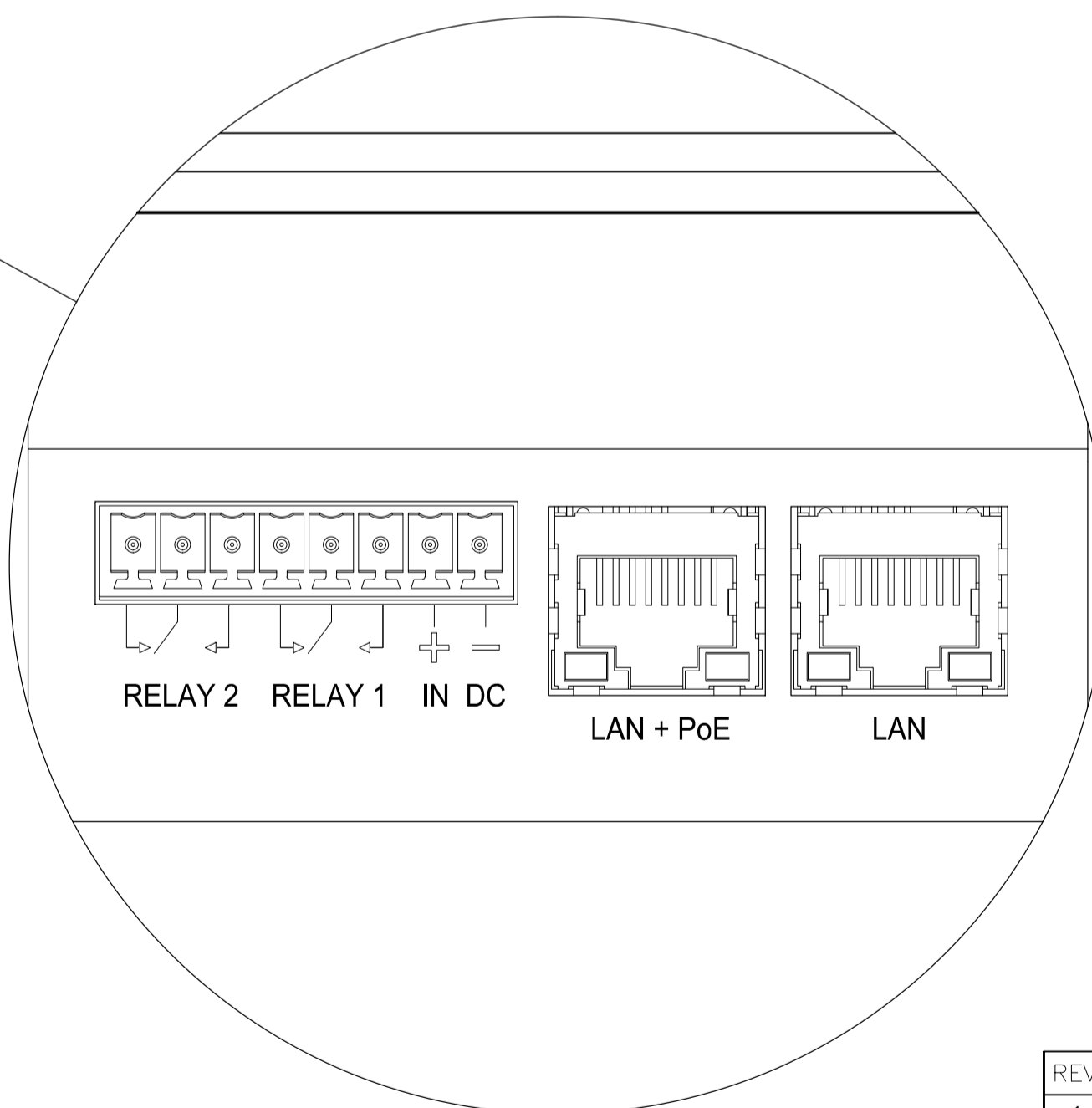
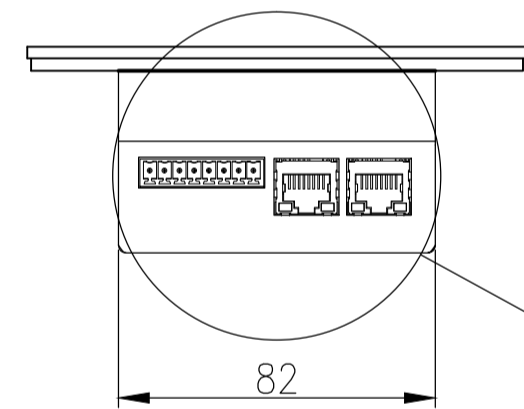
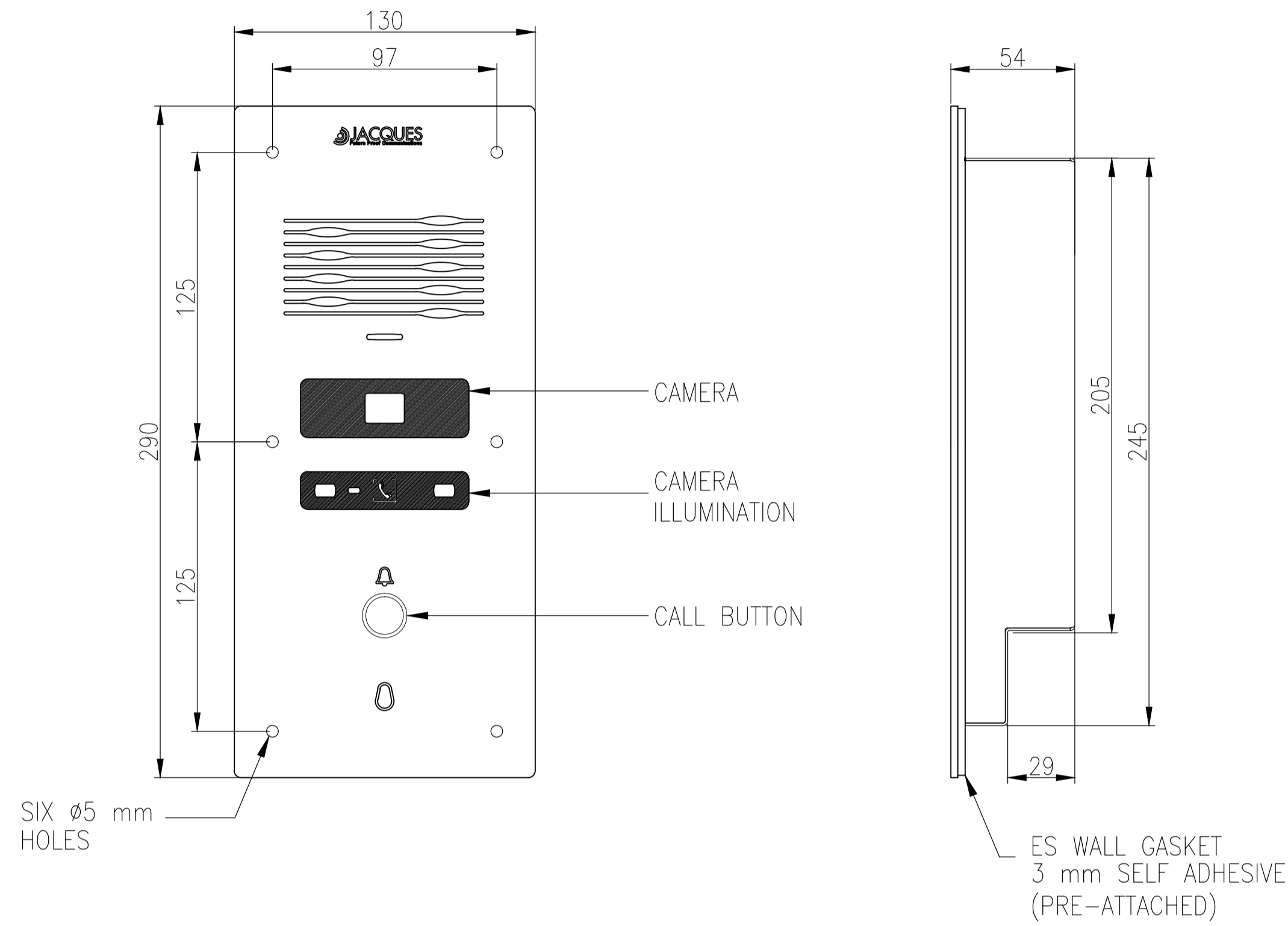
VIDEO INTERCOM SS ENTRANCE STATION INSTALLATION DETAILS

MODELS:

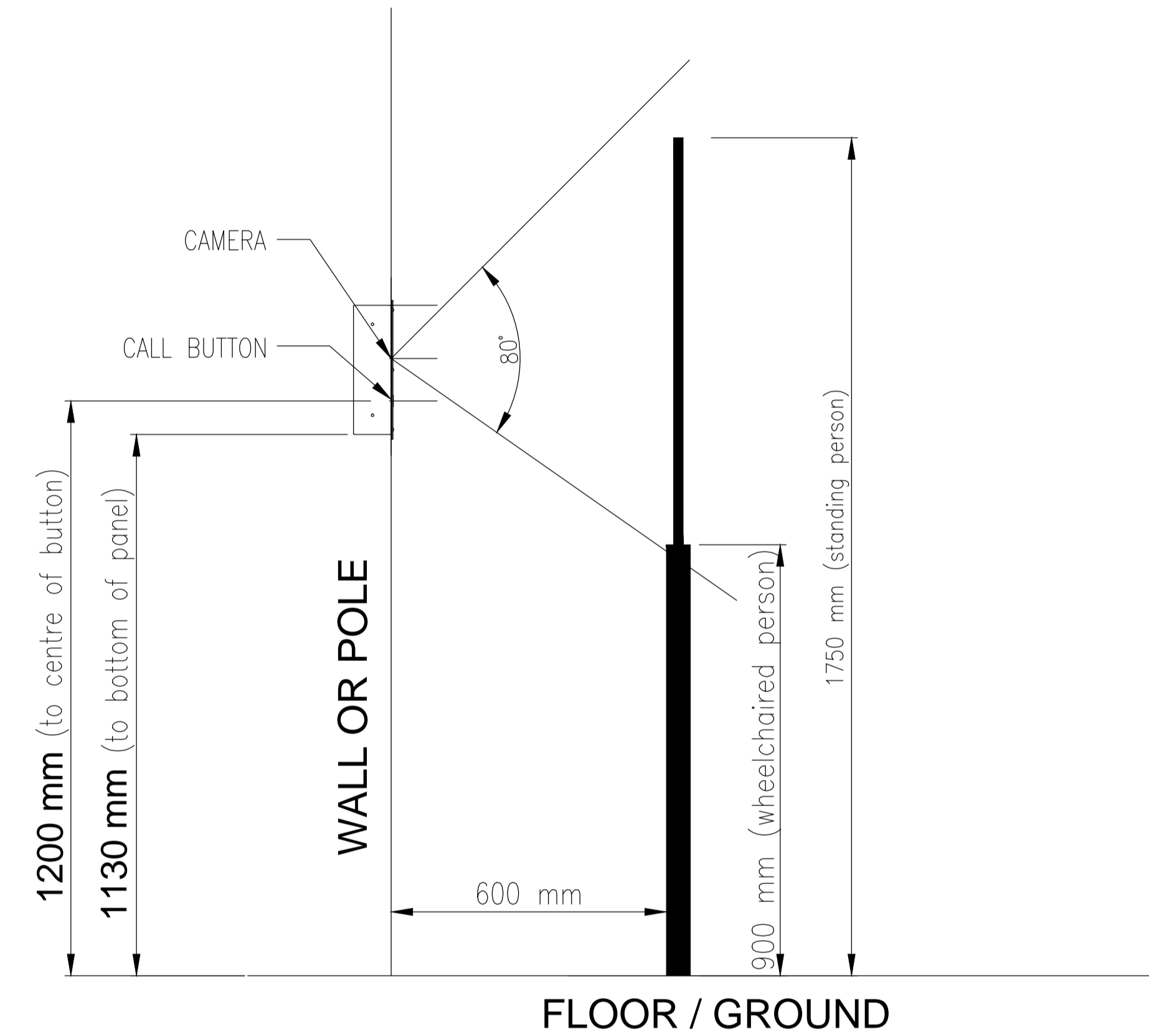
VES-741 (P/N 51423)

VES-742 (P/N 51468)

VES-741 FRONT PANEL SHOWN



VIEW SHOWING CONNECTORS



RECOMMENDED HEIGHT SHOWING CAMERA VIEWING ANGLE

REV	DATE	CHANGE DESCRIPTION	BY
1	2010-03-11	PLASTER BOARD WALL MOUNTING ADDED.	LFB
2	2010-07-20	FWE-1 BACKBOX DIMENSIONS CORRECTED TO SHOW 110 x 270. 4 NUTSERTS ADDED TO SWE-1/SWE-9. VIEW SHOWING CONNECTORS UPDATED.	LFB
3	2010-10-05	DRAWING NUMBER WAS 51423. SHEET 1, SHOWING MOUNTING HEIGHT DETAIL, ADDED.	LFB
4	2011-02-14	(to centre of bottom) CORRECTED TO READ (to centre of button).	LFB
5	2014-04-02	REVISION CORRECTED ON SHEET 2. NEW DRAWING FRAME ADDED.	LFB

		(C) Copyright Jacques Electronics Pty Ltd. All rights reserved. 268 Montague Rd., West End, 4101, Australia Ph: +61 7 3844 1078 Fax: +61 7 3844 1078 www.jacques.com.au info@jacques.com.au	
<h3>VES-74x VIDEO INTERCOM S/S ENTRANCE STATION</h3>			
DRAWN:	DATE:	ADAPTED FROM:	FILENAME:
LFB	2010-02-10	51423 INS	VES-74x-INS.dwg
CHECKED:	DATE:	SCALE:	SHEET: SIZE:
		N.T.S.	1 of 2 A1
APPROVED:	DATE:	DWG NO:	REV:
		VES-74x-INS	5