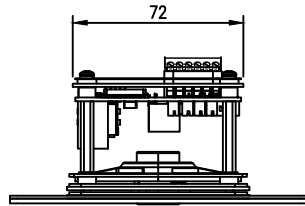
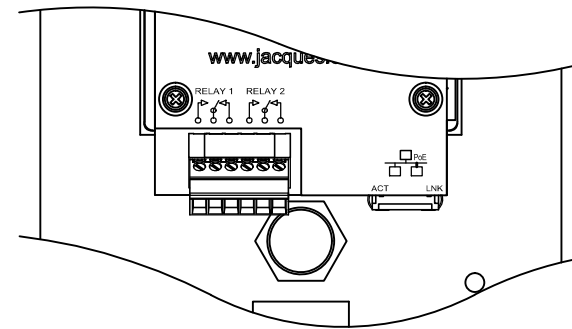
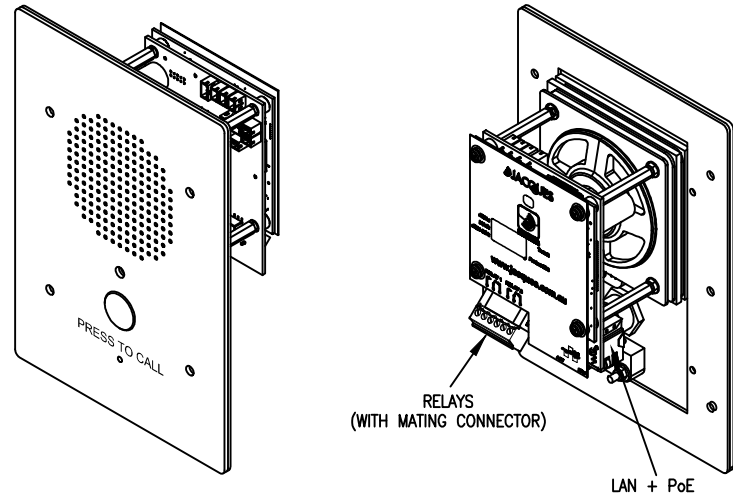
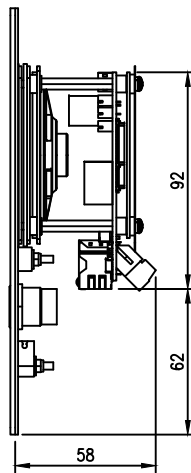
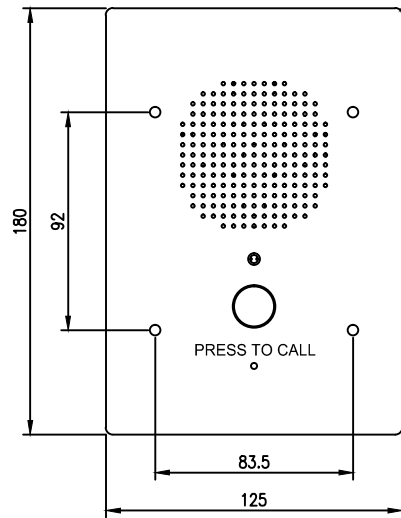


DO NOT SCALE  
IF IN DOUBT - ASK!



VSL-351Q+  
SHOWN AS EXAMPLE



ENLARGED VIEW  
SHOWING CONNECTIONS

VSL-35xQ+ JEM-2+ INTERCOM STATION

MODELS:

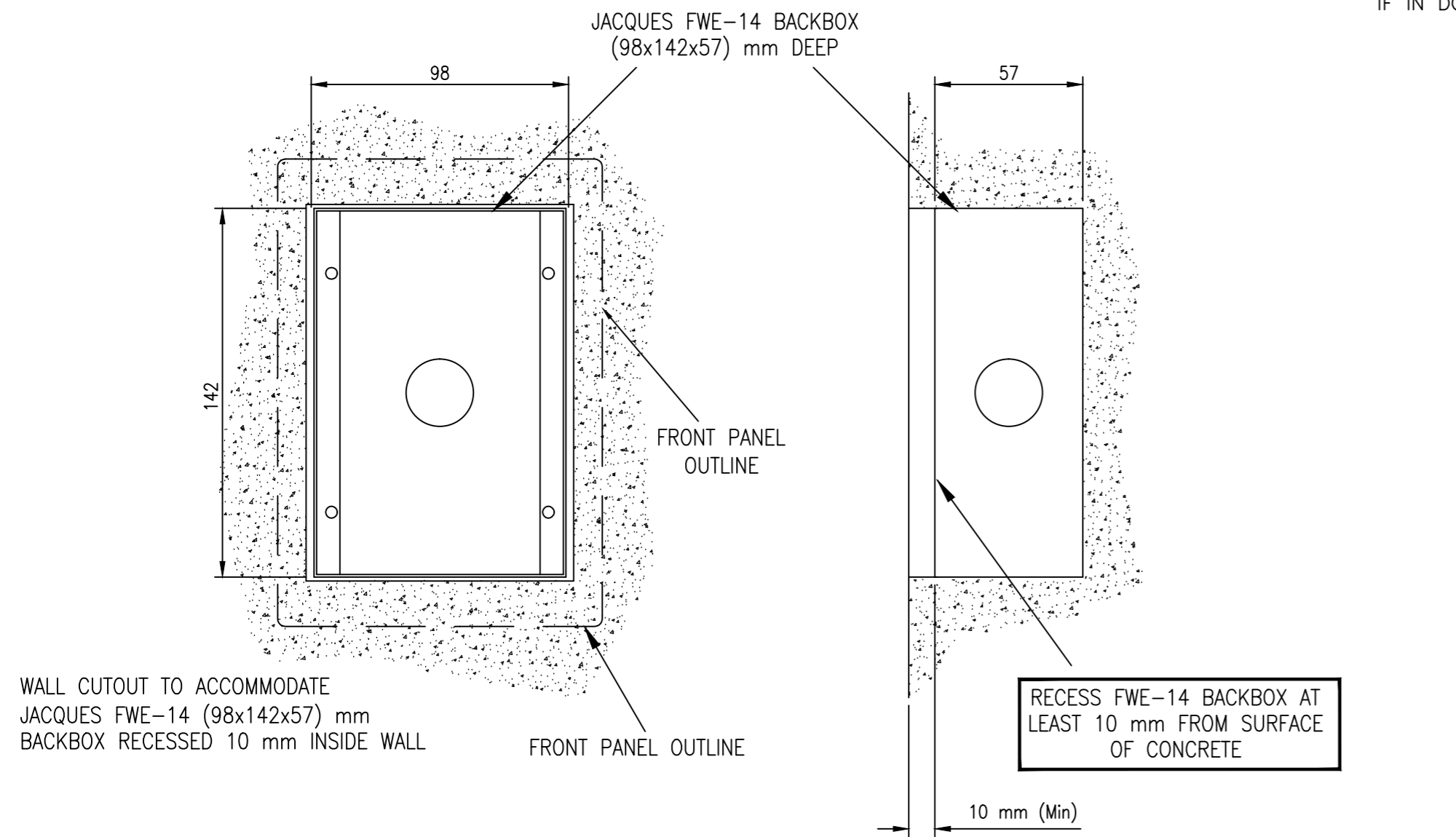
- VSL-351Q+ (51607)
- VSB-351Q+ (51596)
- VSL-351QS+ (51567)
- VSL-350Q+ (51569)

Notes:

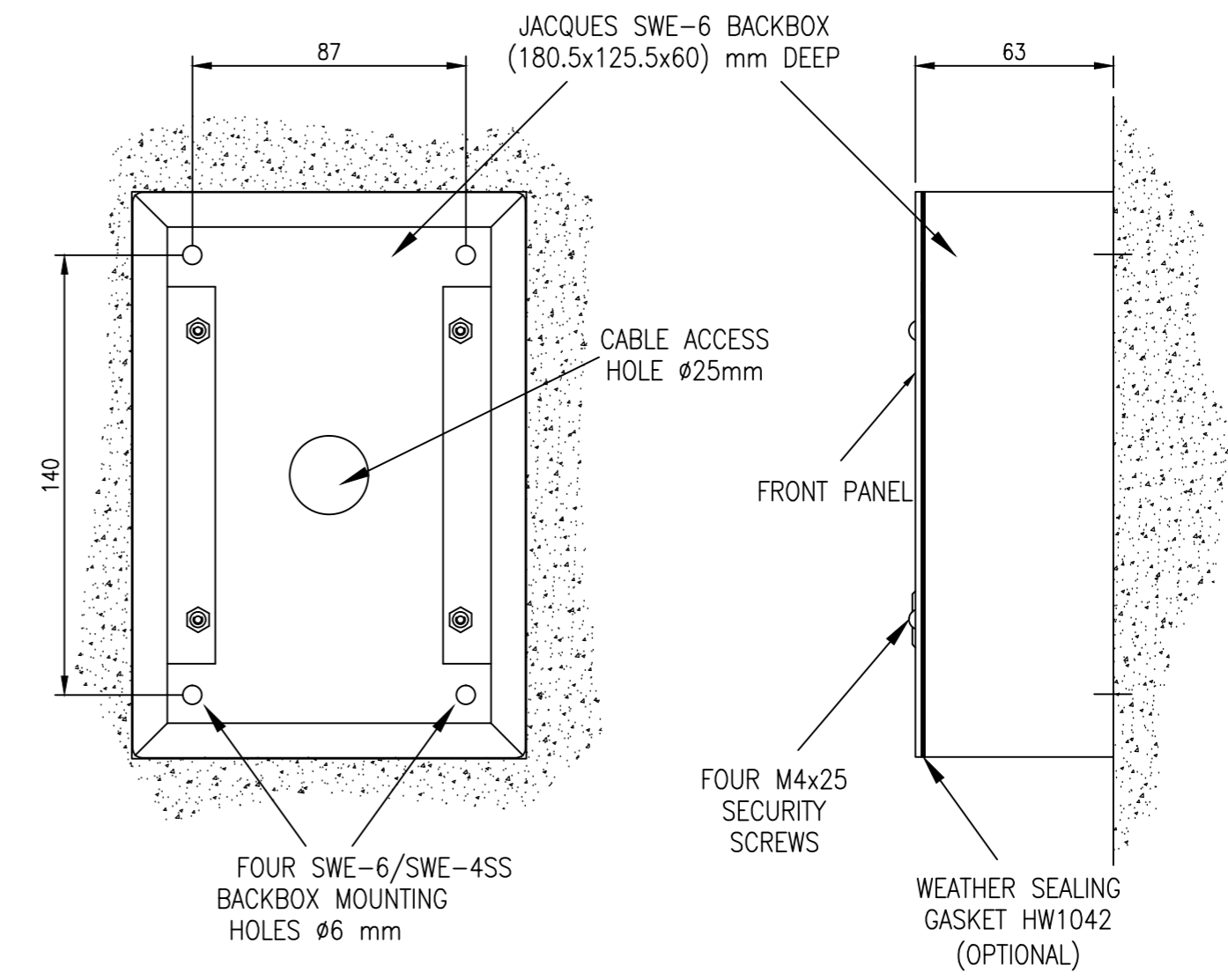
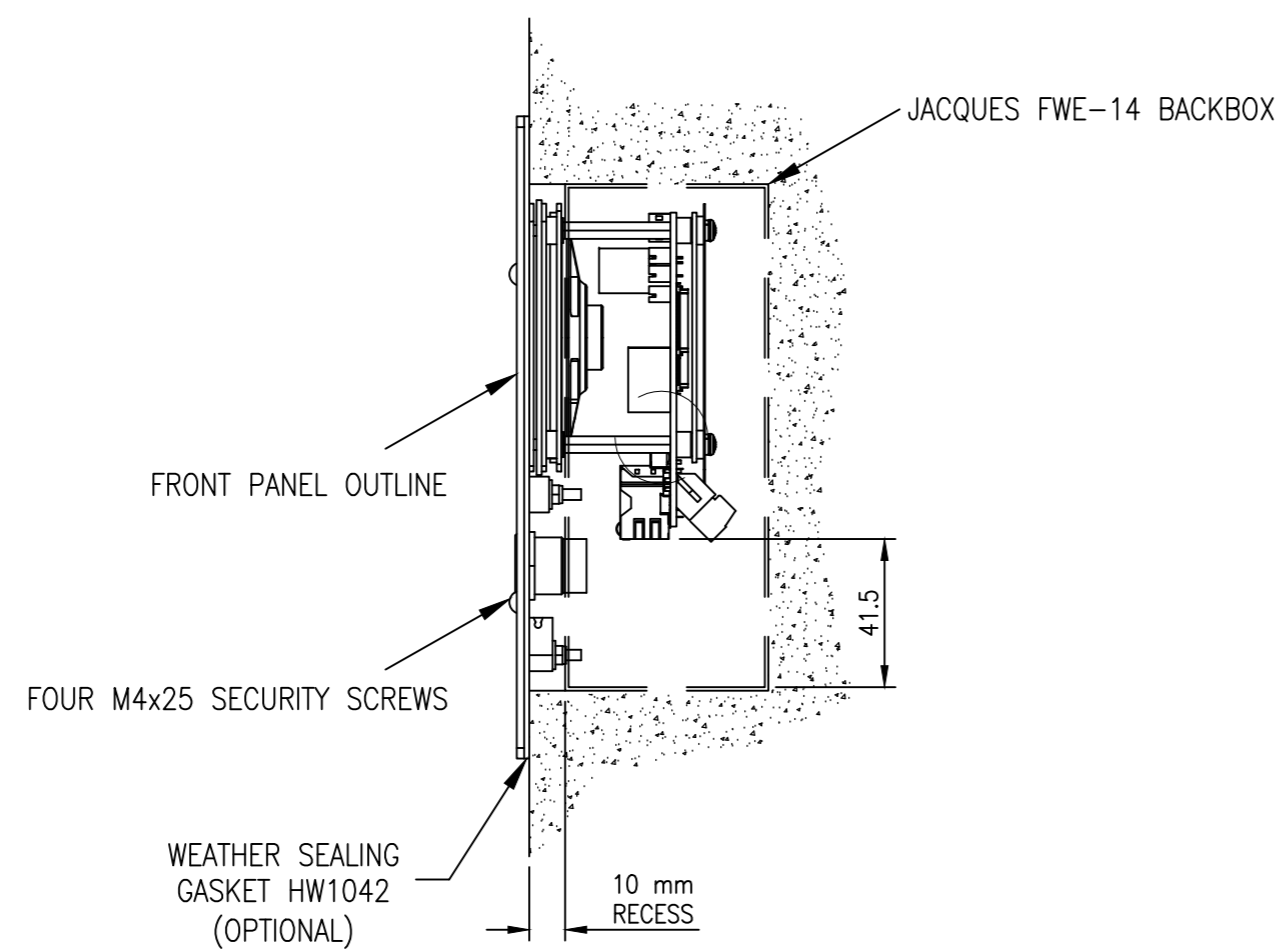
1. Power Input: via IEEE 802.3af PoE (Class 2)
2. Relay contacts rating: 30 V d.c. / 2 A

FIRST USE & REVISION NOTES		DATE	INIT	JACQUES ELECTRONICS			
1. GASKET PART NUMBER CORRECTED.		06/06/13	LFB	VSL-35xQ+ JEM-2+ INTERCOM STATION INSTALLATION DRAWING			
SIZE A3	ADAPTED FROM	REVISION 1	SCALE N.T.S.				
DATE 06/04/2013	DRAWN: CHECKED:	L.F. Buchly		SHEET 1 OF 2			
DWG No. VSL-35xQ+ INS-1							

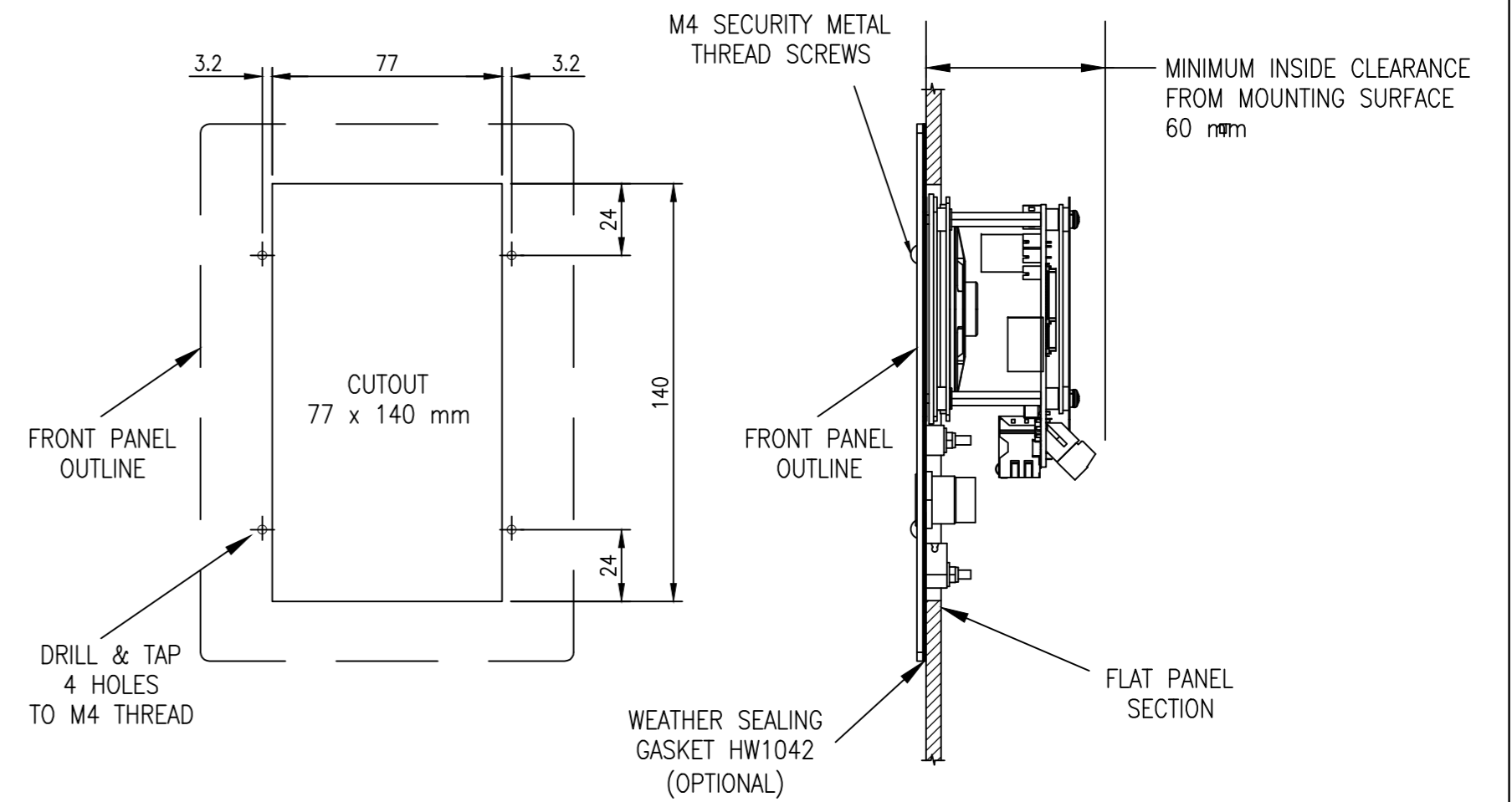
DO NOT SCALE  
IF IN DOUBT - ASK!



FLUSH WALL MOUNT USING FWE-14 BACKBOX



SURFACE MOUNTING USING SWE-6 OR SWE-4SS BACKBOX



FLUSH MOUNTING INTO FLAT PANEL

FIRST USE & REVISION NOTES		DATE	INIT	JACQUES ELECTRONICS		
1. GASKET PART NUMBER CORRECTED.		06/06/13	LFB	VSL-35xQ+ JEM-2+ INTERCOM STATION INSTALLATION DRAWING		
SIZE A2	ADAPTED FROM	REVISION 1	SCALE N.T.S.			
DATE 08/04/2013	DRAWN: L.F.Buchly	CHECKED:	SHEET 2 OF 2			
DWG No. VSL-35xQ+ INS-1						