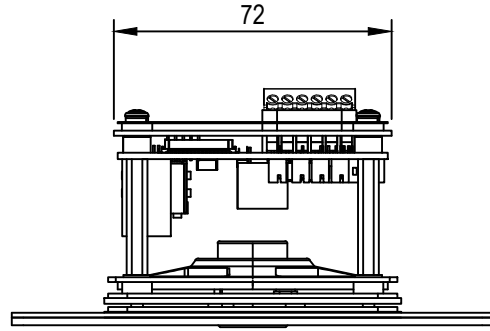
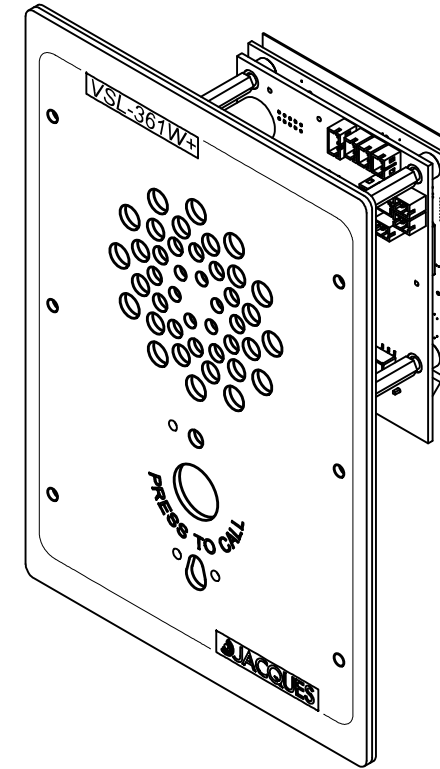
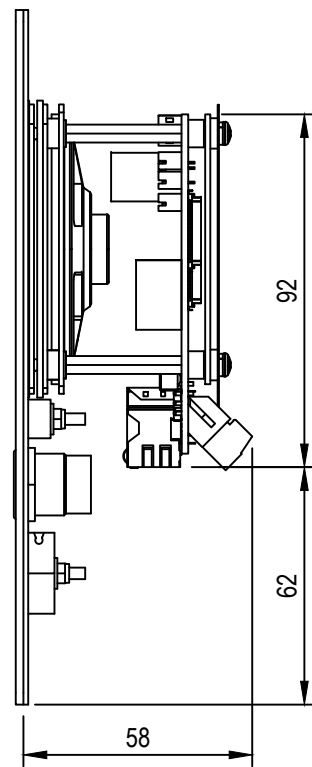
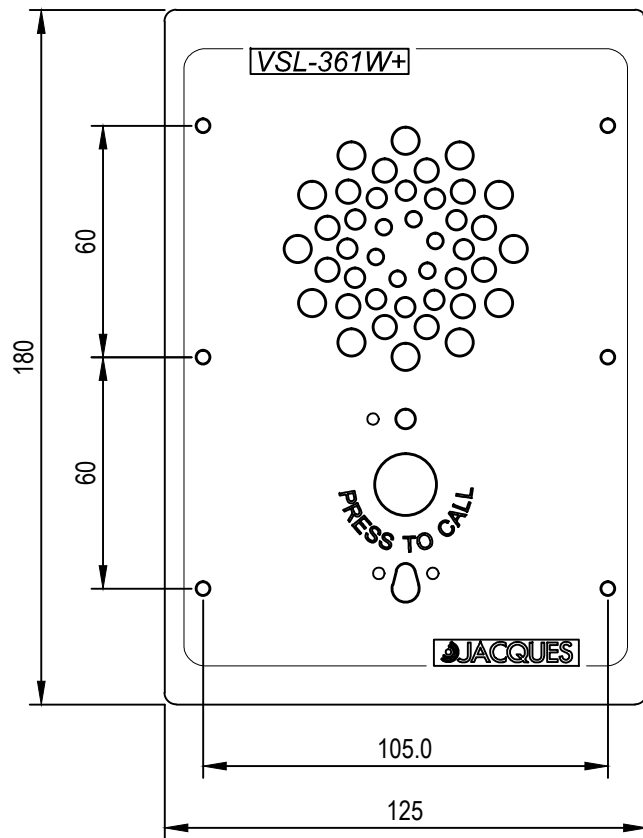


DO NOT SCALE

IF IN DOUBT - ASK!

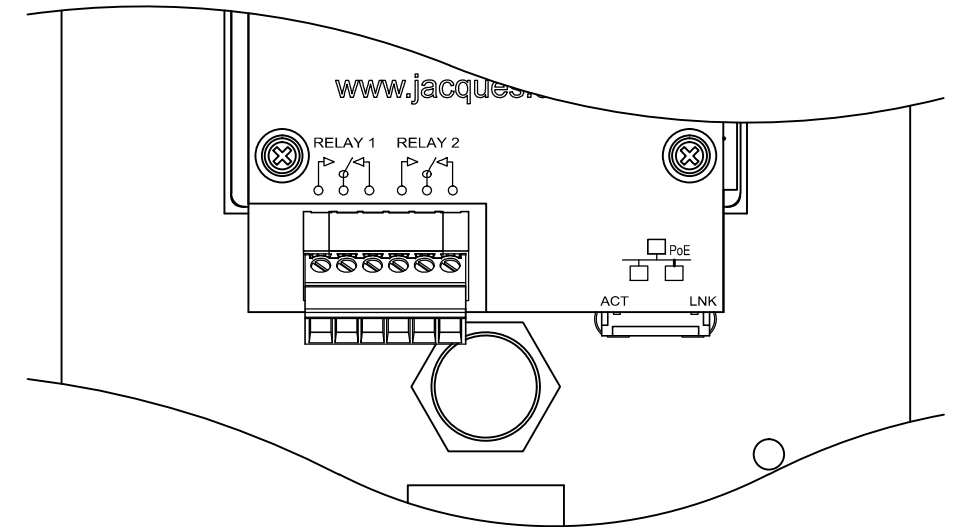


VSL-361W+
SHOWN AS EXAMPLE



RELAYS
(WITH MATING CONNECTOR)

LAN + PoE



ENLARGED VIEW
SHOWING CONNECTIONS

VSL-36x+ JEM-2+ INTERCOM STATION

MODELS:
VSL-361W+ (51676)

Notes:

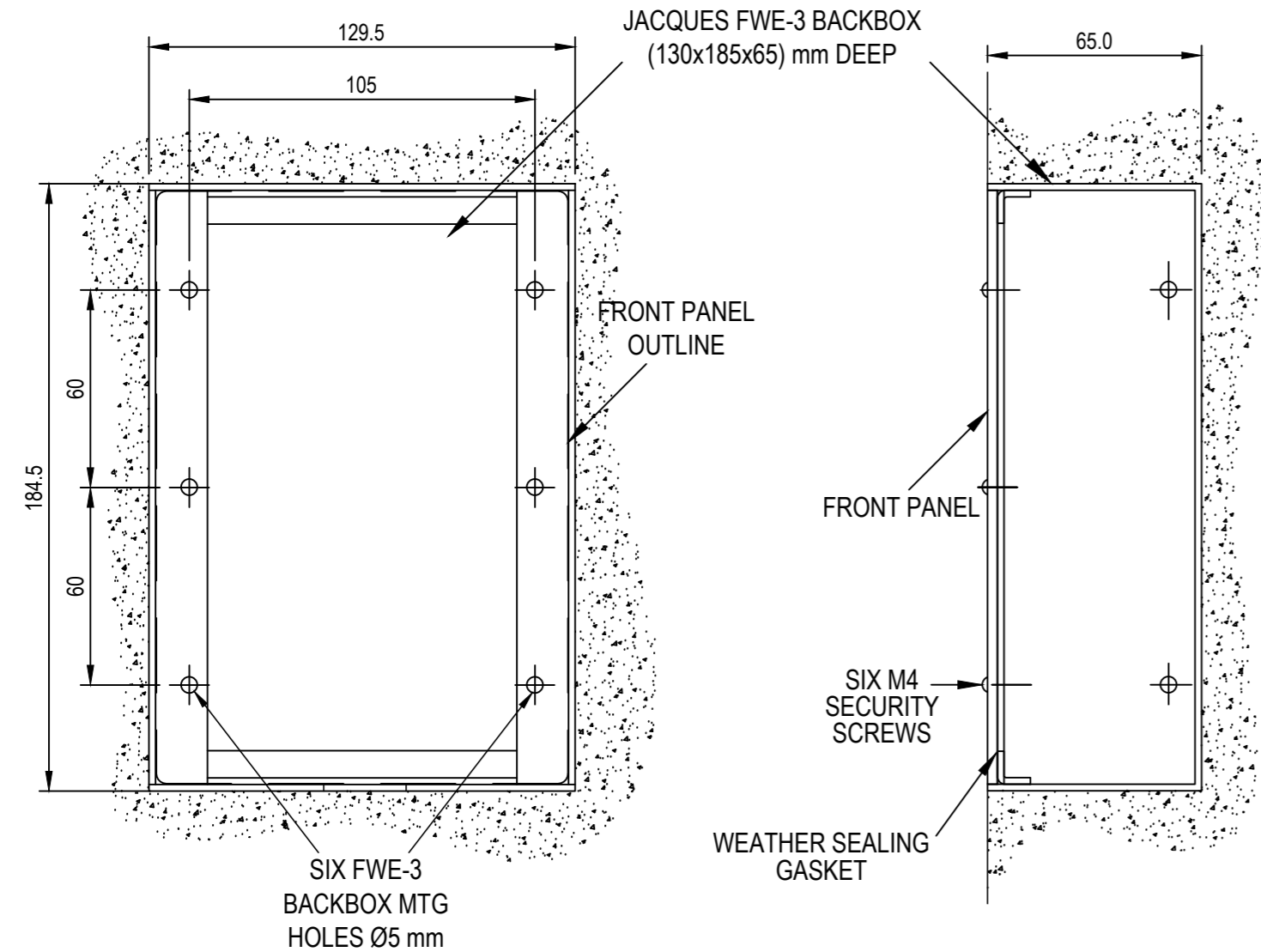
1. Power Input: via IEEE 802.3af PoE (Class 2)
2. Relay contacts rating: 30 V d.c. / 2 A

REV	DATE	CHANGE DESCRIPTION	BY
1			

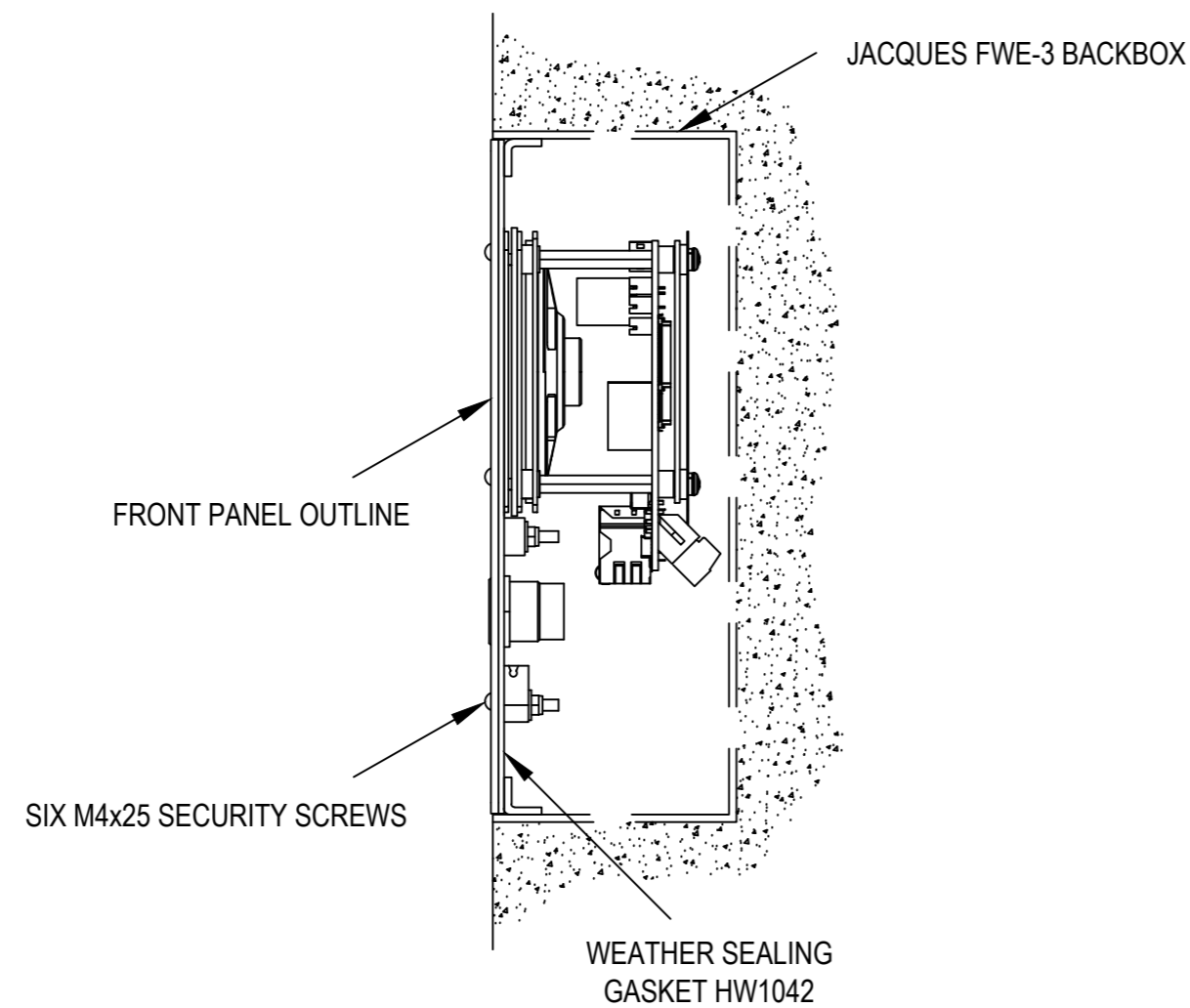
		<small>(C) Copyright Jacques Technologies Pty Ltd. All rights reserved. 268 Montague Rd., West End, 4101, Australia Ph: +61 7 3846 8400 Fax: +61 7 3844 1078 www.jacques.com.au info@jacques.com.au</small>	
VSL-36xW+ INTERCOM STATION			
DRAWN:	DATE:	ADAPTED FROM:	FILENAME:
LFB	2015-03-02	N/A	VSL-36xW+-INS.dwg
CHECKED:	DATE:	SCALE:	SHEET:
		N.T.S.	1 of 2
APPROVED:	DATE:	DWG NO:	REV:
		VSL-36xW+-INS	0

DO NOT SCALE

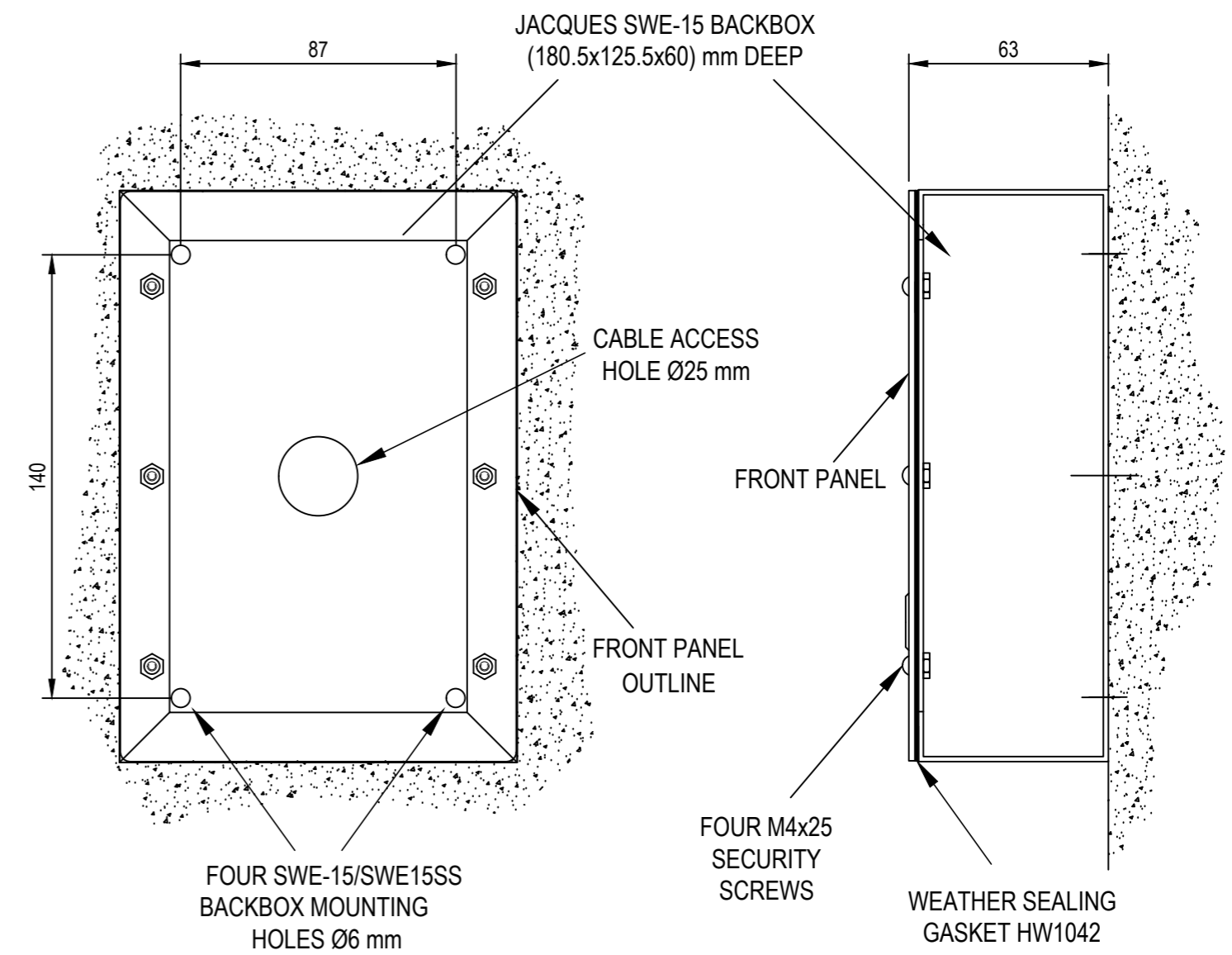
IF IN DOUBT - ASK!



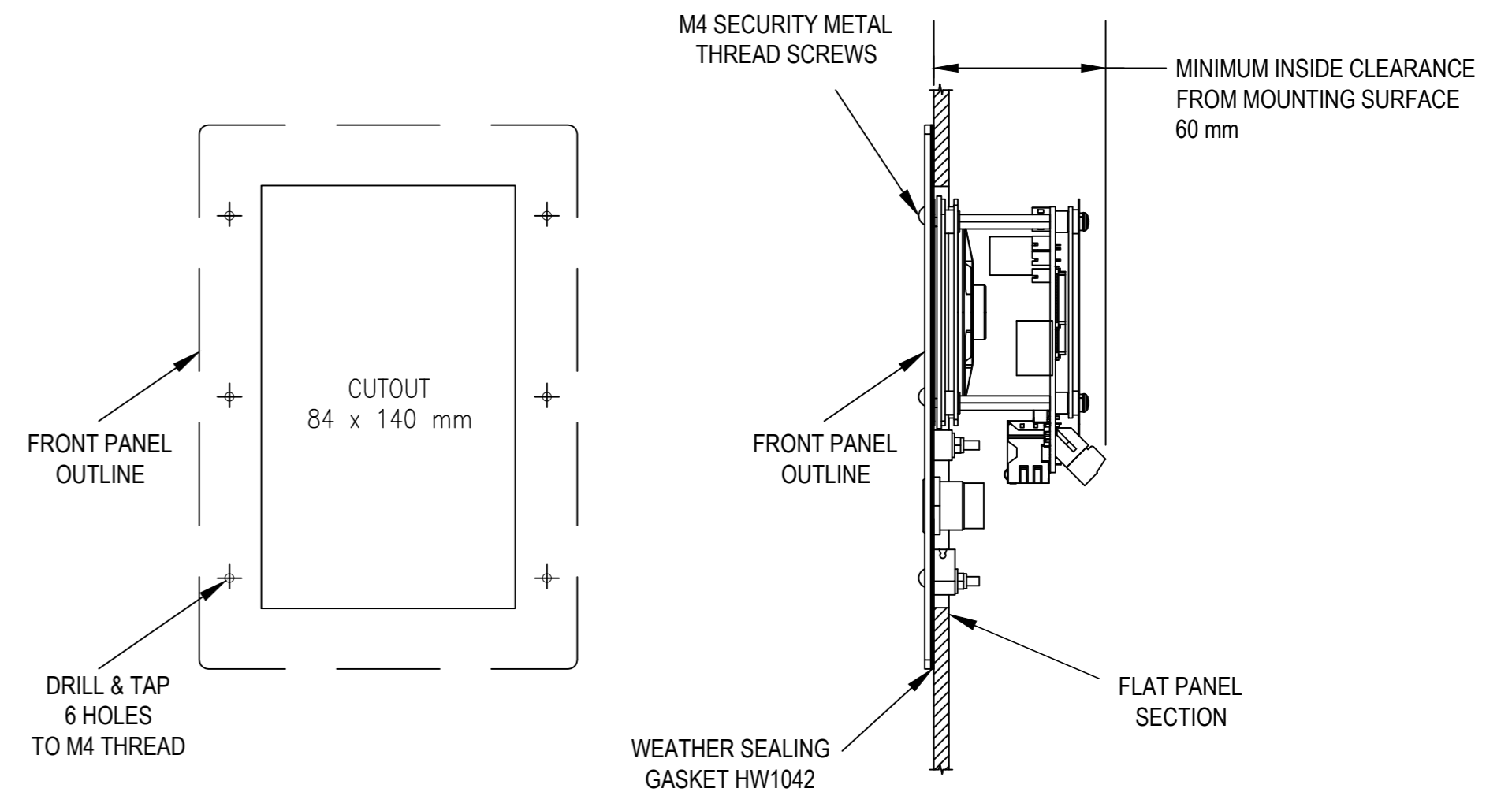
WALL CUTOUT TO ACCOMMODATE
Jacques FWE-3 (130x1184x65) mm
BACKBOX



FLUSH WALL MOUNT USING FWE-3 BACKBOX



SURFACE MOUNTING USING SWE-15 OR SWE-15SS BACKBOX



FLUSH MOUNTING INTO FLAT PANEL

REV	DATE	CHANGE DESCRIPTION	BY
1			

JACQUES
Future Proof Communications

(C) Copyright Jacques Technologies Pty Ltd. All rights reserved.
268 Montague Rd., West End, 4101, Australia
Ph: +61 7 3846 8400 Fax: +61 7 3844 1078
www.jacques.com.au info@jacques.com.au

VSL-36xW+ INTERCOM STATION

DRAWN: LFB	DATE: 2015-03-02	ADAPTED FROM: N/A	FILENAME: VSL-36xW+-INS.dwg
CHECKED:	DATE:	SCALE: N.T.S.	SHEET: 2 of 2
APPROVED:	DATE:	DWG NO: VSL-36xW+-INS	REV: 0