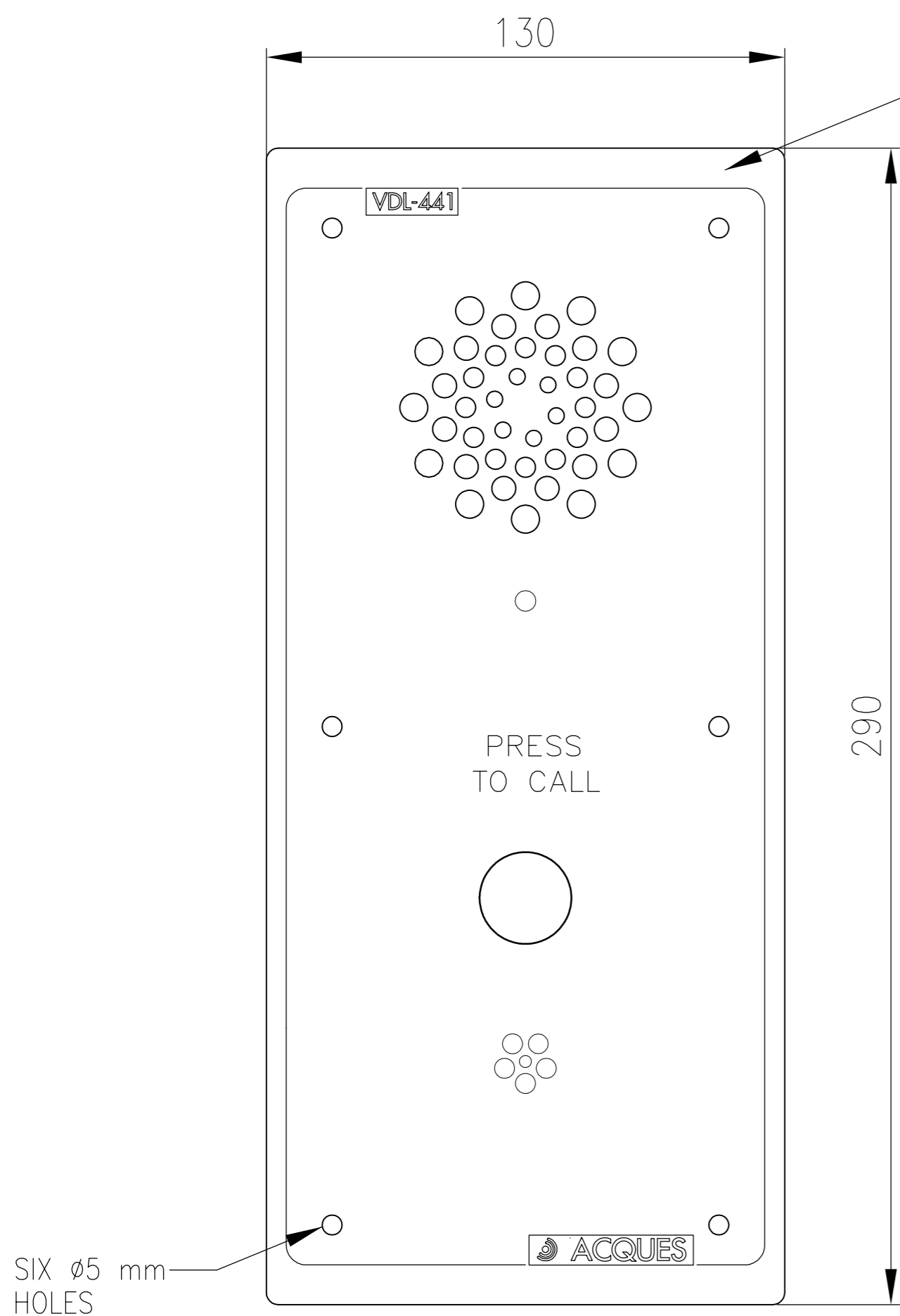


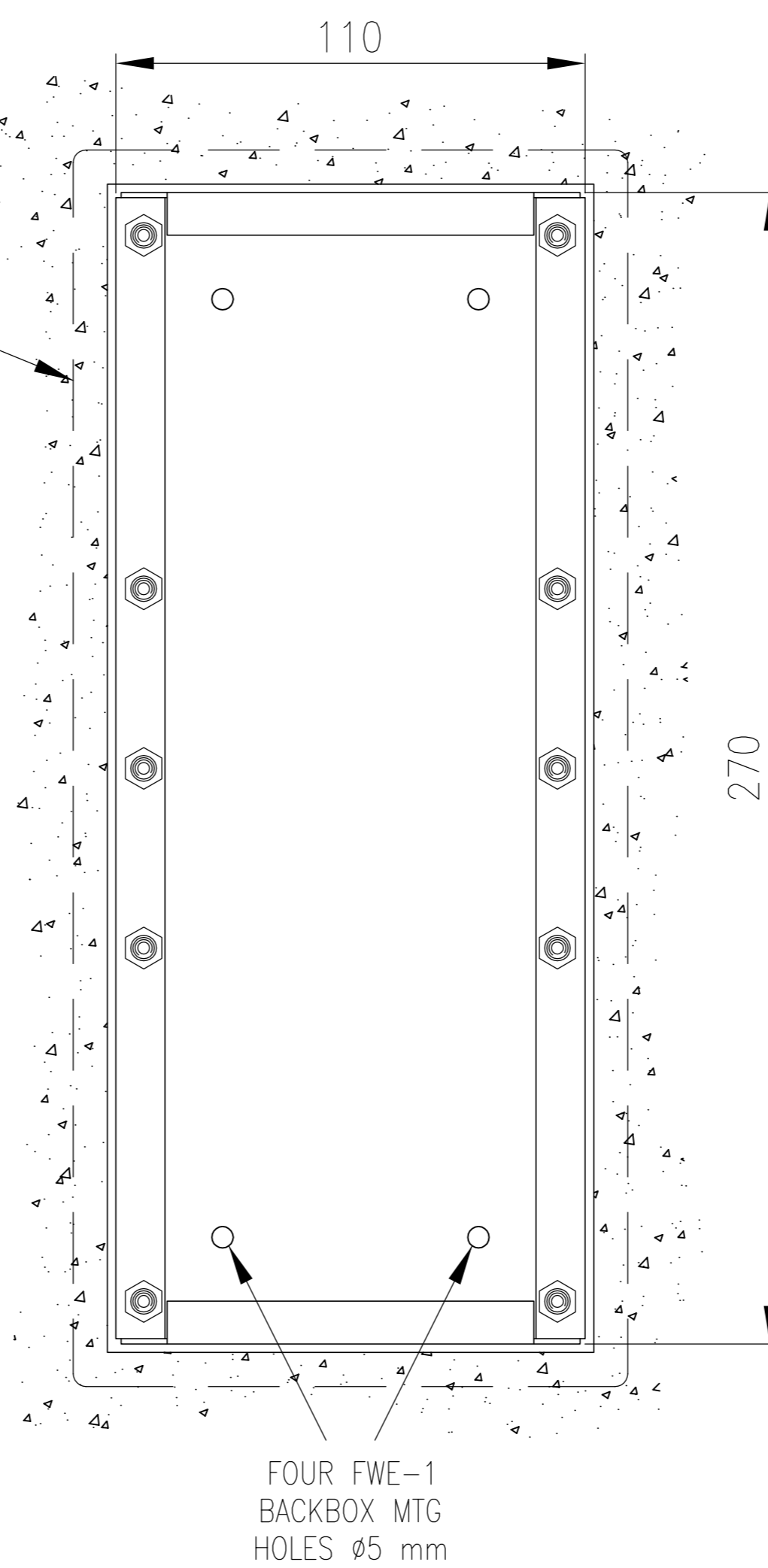
DO NOT SCALE

IF IN DOUBT - ASK!



VDL-441 SHOWN AS EXAMPLE

FRONT PANEL OUTLINE



FOUR FWE-1 BACKBOX MTG HOLES Ø5 mm

WEATHER SEALING GASKET HW292

80 MIN. DEPTH

FRONT PANEL OUTLINE

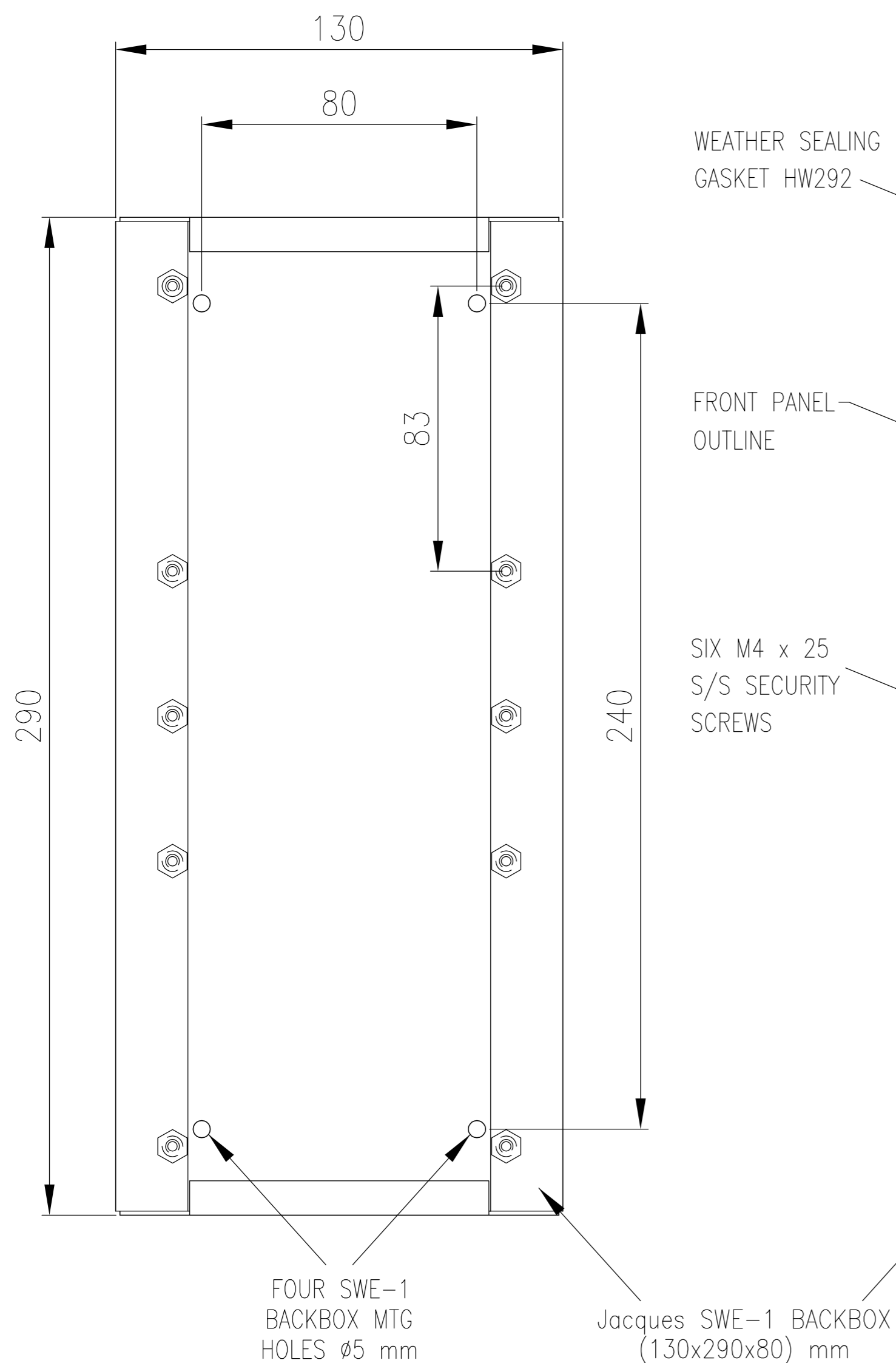
SIX M4 x 25 S/S SECURITY SCREWS

EITHER END Ø25 HOLES

- VDL-441/444/44K Series
- VSL-340/341/344 (+) Series
- VSL-240/241/244 Series
- VSL-140/141/144 Series
- VMI-155M Series
- VSL-341H (+) / NCV-M / NCV-S Series

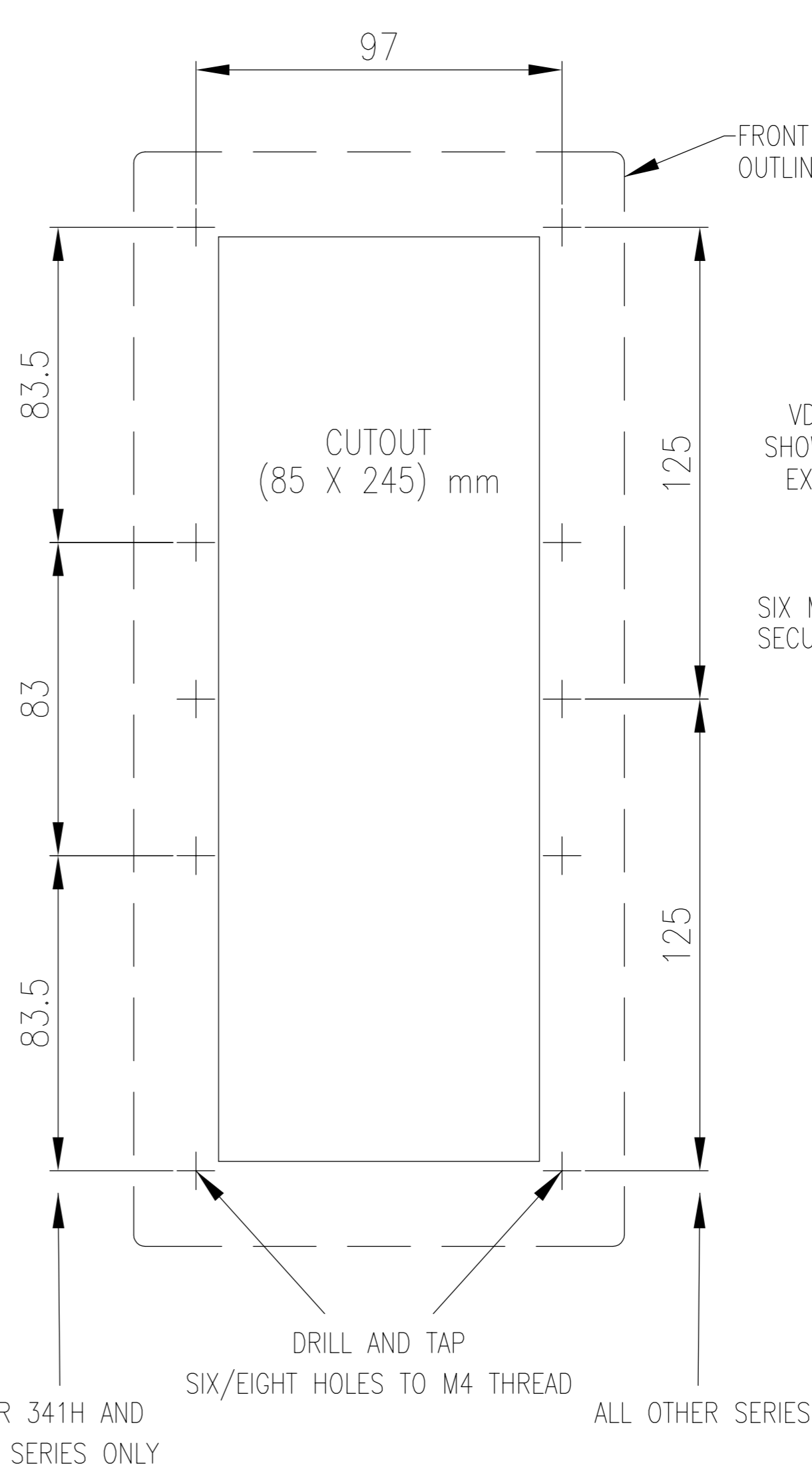
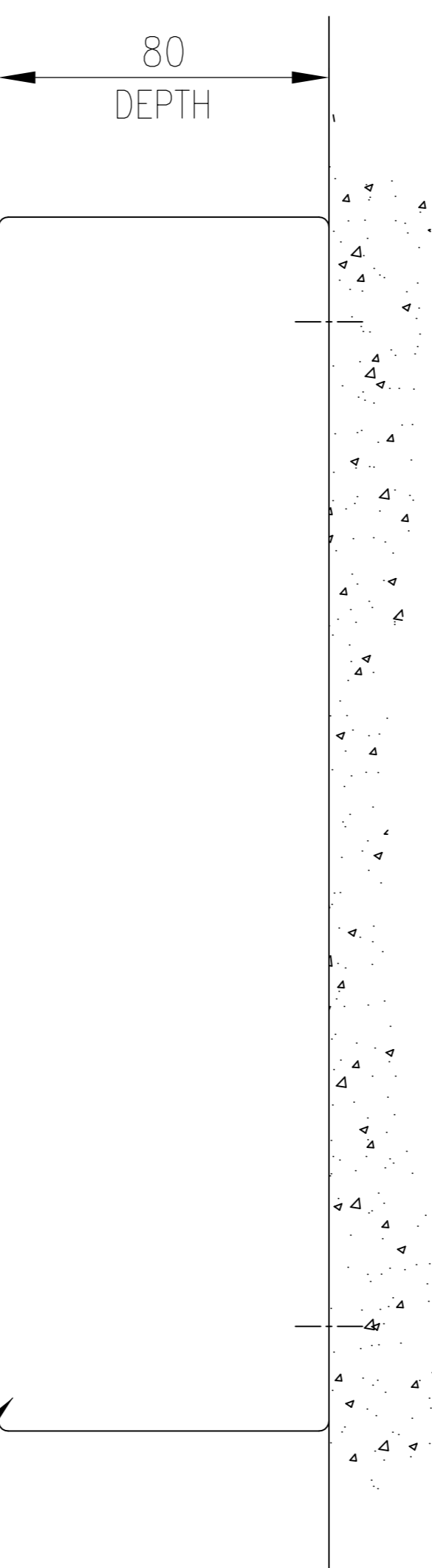
### FLUSH WALL MOUNTING USING FWE-1 BACKBOX

### FRONT PANEL LAYOUT AND DIMENSIONS



FOUR SWE-1 BACKBOX MTG HOLES Ø5 mm

Jacques SWE-1 BACKBOX (130x290x80) mm



### SURFACE WALL MOUNTING USING SWE-1 / SWE-9 BACKBOX

NOTE:  
SWE-1 IS ZINCANNEAL APO GREY RIPPLE POWDERCOAT.  
SWE-9 IS 316 GRADE STAINLESS STEEL.

### FLUSH MOUNTING INTO FLAT PANEL

REV	DATE	CHANGE DESCRIPTION	BY
1	2010-01-04	SWE-9 ADDED TO SURFACE WALL MOUNTING. NOTES ADDED. VMI-155M ADDED FRONT PANEL LIST.	LFB
2	2007-07-20	NUTSERTS ADDED TO SWE-1/9 BACKBOX. VSL-341H, NCV-M AND NCV-S ADDED TO FRONT PANEL LIST.	LFB
3	2012-12-10	CUTOUT DIMENSIONS FOR FLUSH MOUNTING INTO PANEL CHANGED TO 85 x 245.	LFB
4	2015-03-10	(+) ADDED TO PRODUCT MODELS. 4 MOUNTING HOLES ADDED TO FLUSH MOUNT INTO PANEL.	LFB



(C) Copyright Jacques Technologies Pty Ltd. All rights reserved.  
208 Montague Rd., West End, 4101, Australia  
Ph: +61 7 3846 8400 Fax: +61 7 3844 1078  
www.jacques.com.au info@jacques.com.au

<b>VDL-x4x and VSL-x4x INTERCOM STATION FAMILY</b>			
DRAWN: LFB	DATE: 2009-04-22	ADAPTED FROM: N/A	FILENAME: VDL-x4x-INS.dwg
CHECKED:	DATE:	SCALE: N.T.S.	SHEET: 1 of 1
APPROVED:	DATE:	DWG NO: VDL-x4x-INS	REV: 4