

DO NOT SCALE

IF IN DOUBT - ASK!

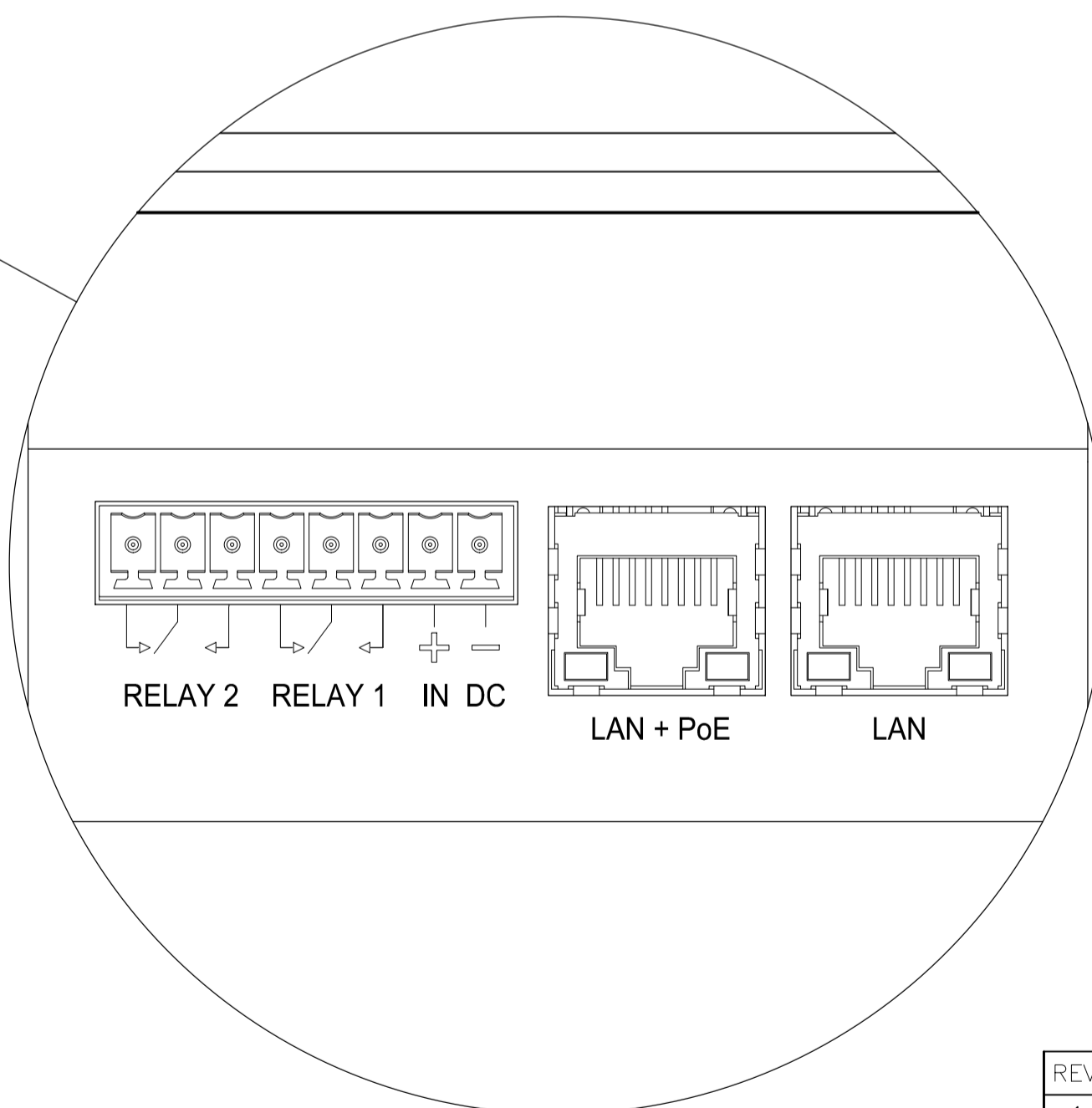
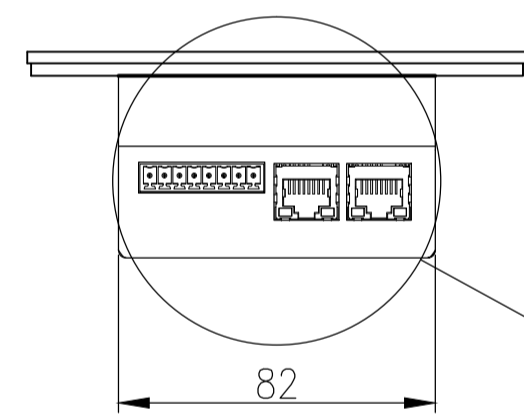
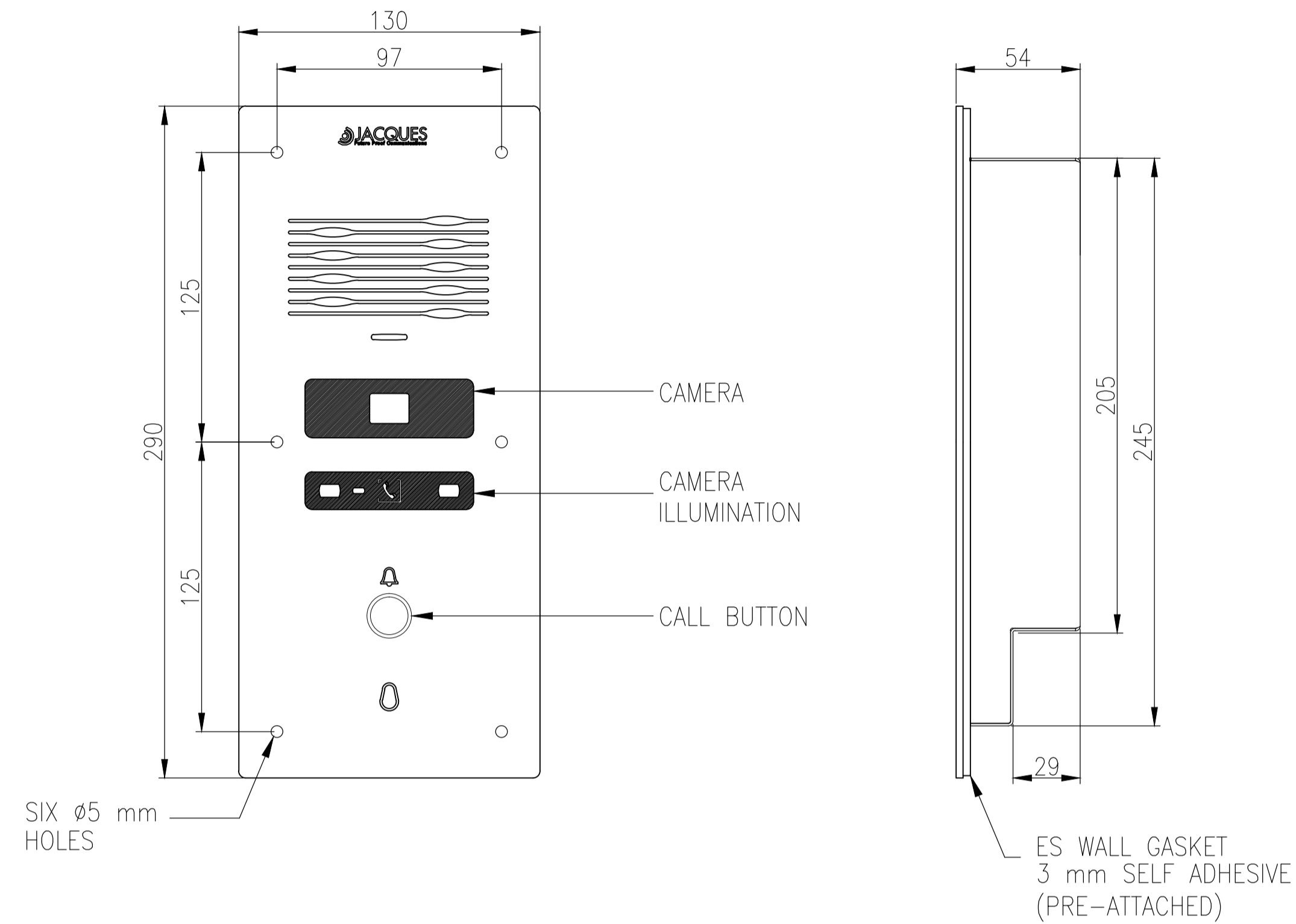
VIDEO INTERCOM SS ENTRANCE STATION INSTALLATION DETAILS

MODELS:

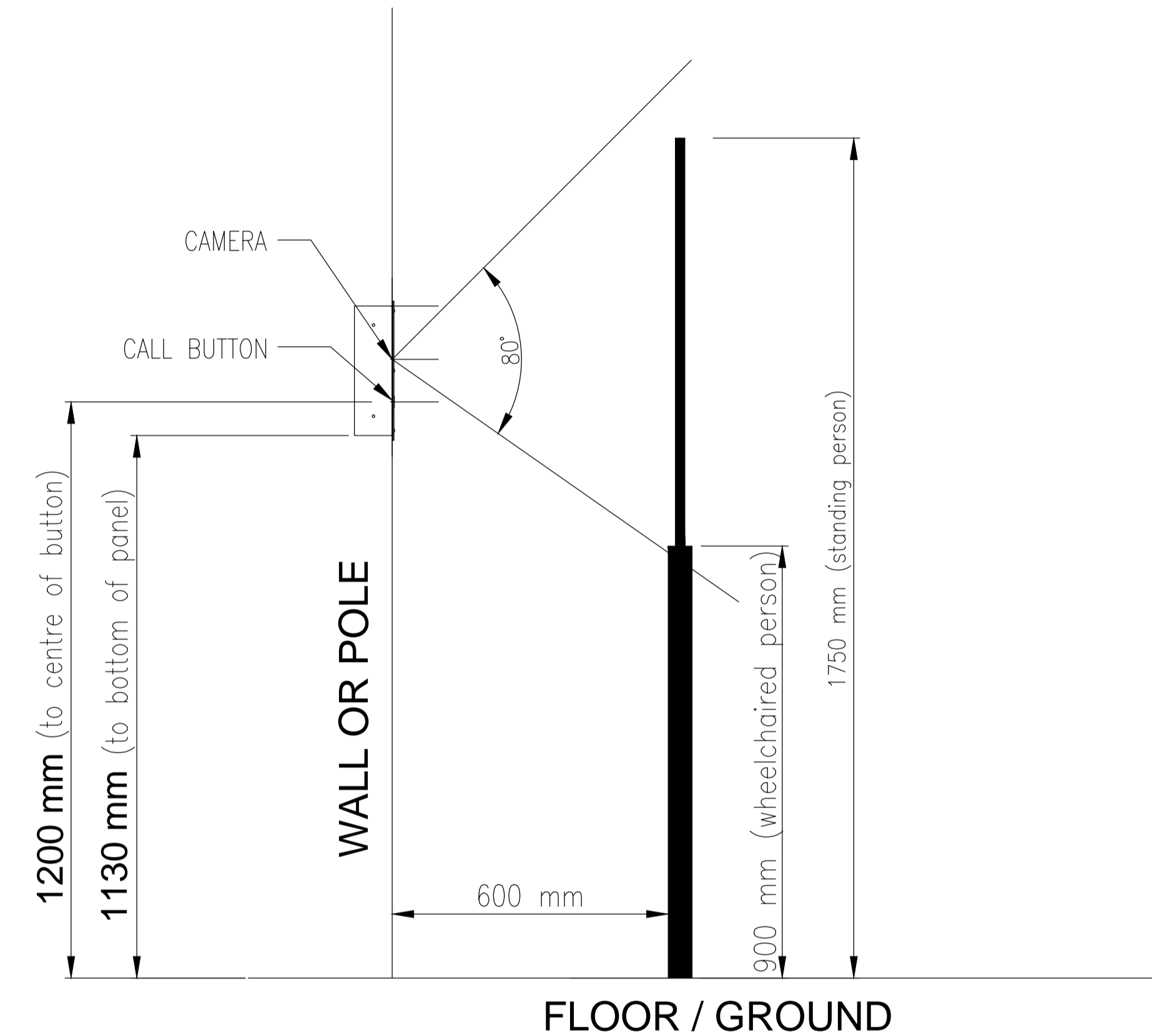
VES-741 (P/N 51423)

VES-742 (P/N 51468)

VES-741 FRONT PANEL SHOWN



VIEW SHOWING CONNECTORS



RECOMMENDED HEIGHT SHOWING CAMERA VIEWING ANGLE

REV	DATE	CHANGE DESCRIPTION	BY
1	2010-03-11	PLASTER BOARD WALL MOUNTING ADDED.	LFB
2	2010-07-20	FWE-1 BACKBOX DIMENSIONS CORRECTED TO SHOW 110 x 270. 4 NUTSERTS ADDED TO SWE-1/SWE-9. VIEW SHOWING CONNECTORS UPDATED.	LFB
3	2010-10-05	DRAWING NUMBER WAS 51423. SHEET 1, SHOWING MOUNTING HEIGHT DETAIL, ADDED.	LFB
4	2011-02-14	(to centre of bottom) CORRECTED TO READ (to centre of button).	LFB
5	2014-04-02	REVISION CORRECTED ON SHEET 2. NEW DRAWING FRAME ADDED.	LFB
6	2017-06-29	NOTE 6 ADDED, SHEET 2.	LFB
7	2018-02-09	'PWB-2 BRACKET' ADDED TO PLASTERBOARD WALL MOUNTING TITLE. #1652	LFB

		<small>(C) Copyright Jacques Technologies Pty Ltd. All rights reserved. 268 Montague Rd., West End, 4101, Australia Ph: +61 7 3846 8400 Fax: +61 7 3844 1078 www.jacques.com.au info@jacques.com.au</small>	
<h3>VES-74x VIDEO INTERCOM S/S ENTRANCE STATION</h3>			
DRAWN:	DATE:	ADAPTED FROM:	FILENAME:
LFB	2010-02-10	51423 INS	VES-74x-INS.dwg
CHECKED:	DATE:	SCALE:	SHEET:
		N.T.S.	1 of 2
APPROVED:	DATE:	DWG NO:	REV:
		VES-74x-INS	7

