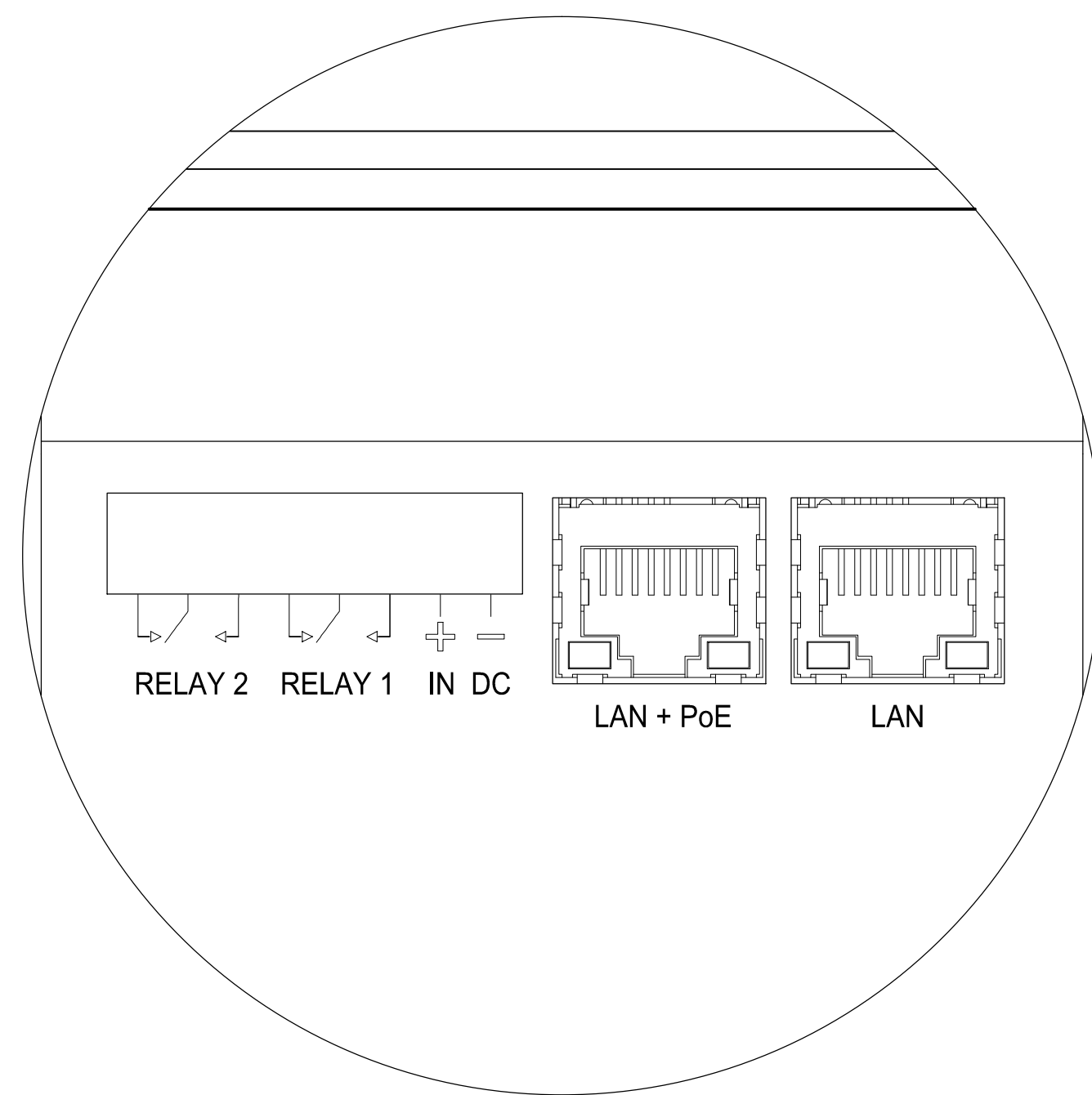
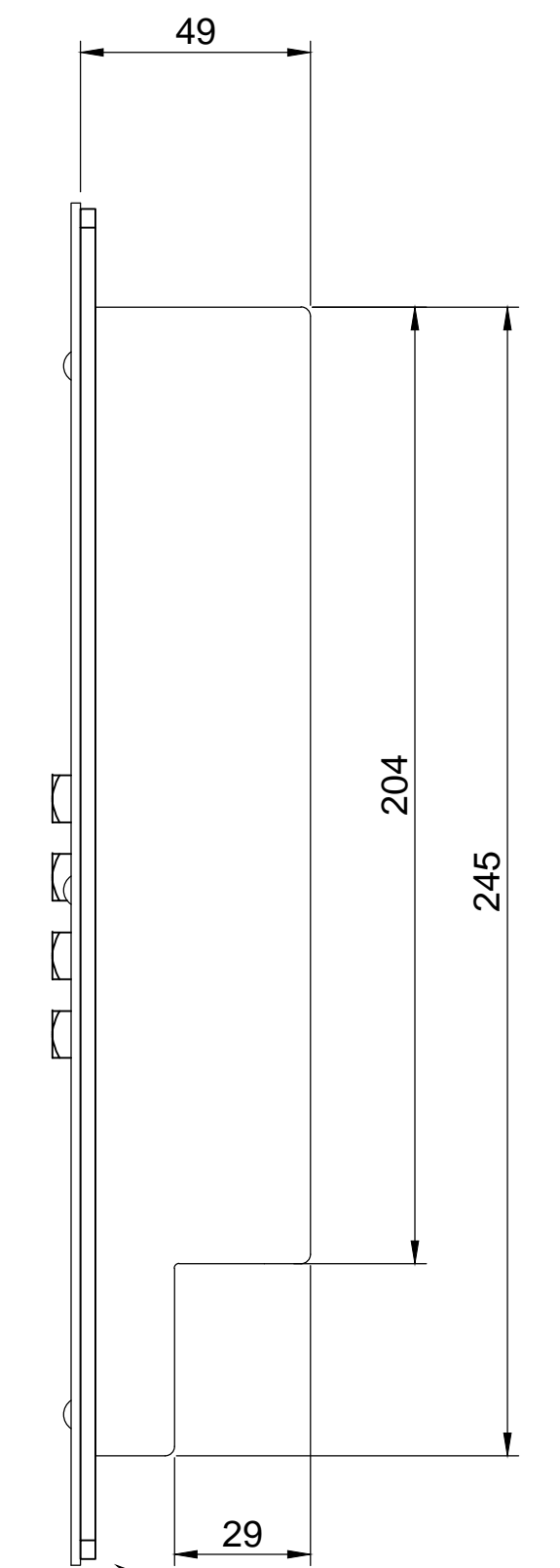
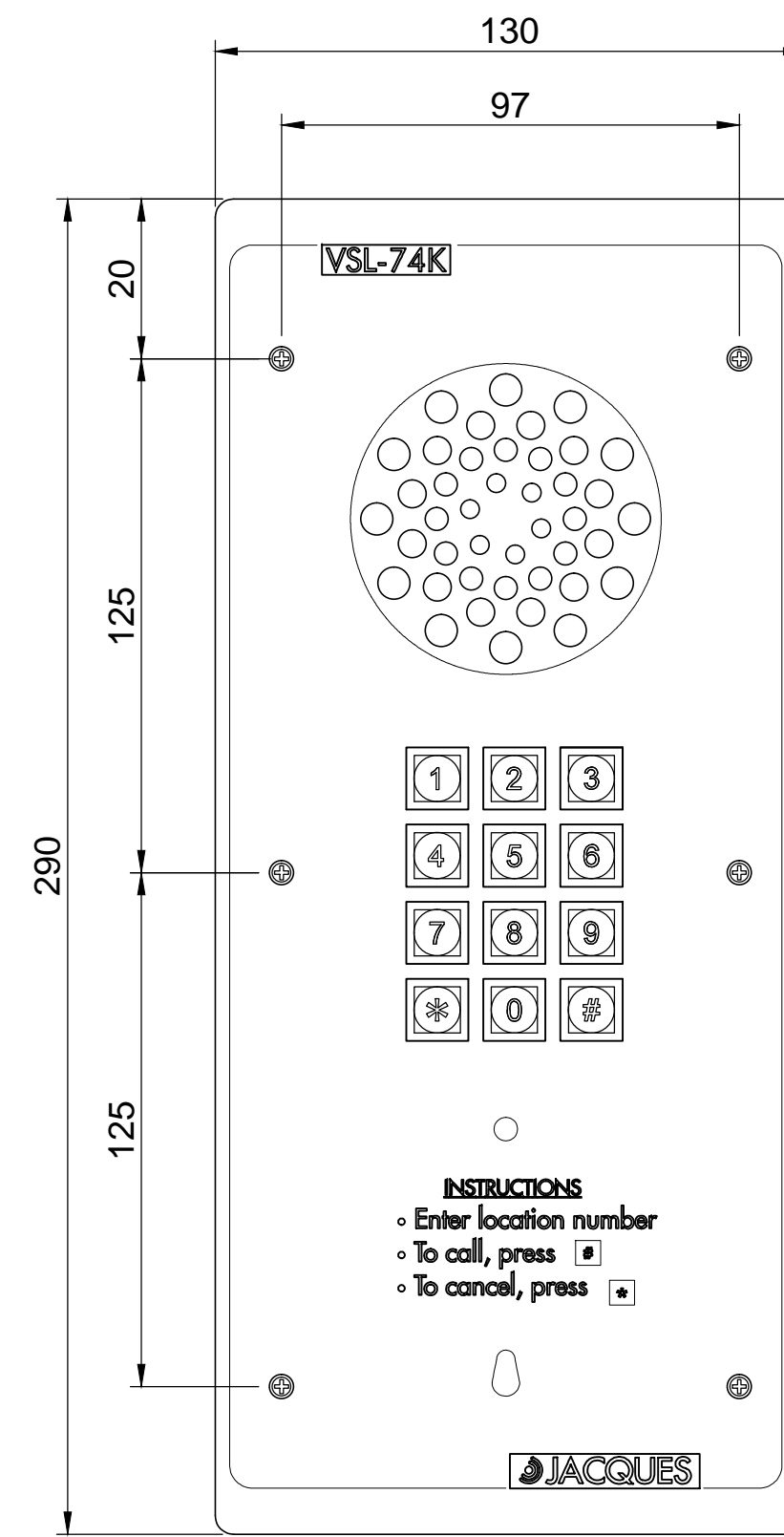


DO NOT SCALE

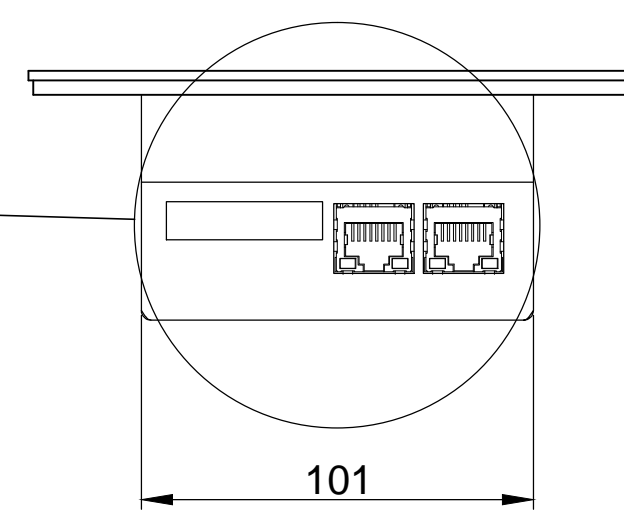
IF IN DOUBT - ASK!

# VSL-74K INTERCOM INSTALLATION DETAILS

## MODEL VSL-74K, P/N 51459



VIEW SHOWING CONNECTORS



REV	DATE	CHANGE DESCRIPTION	BY
0	2016-04-01	FIRST RELEASE	LFB
1	2020-02-13	PART NUMBER CORRECTED. PANEL LENGTH DIMENSION CORRECTED.	LFB



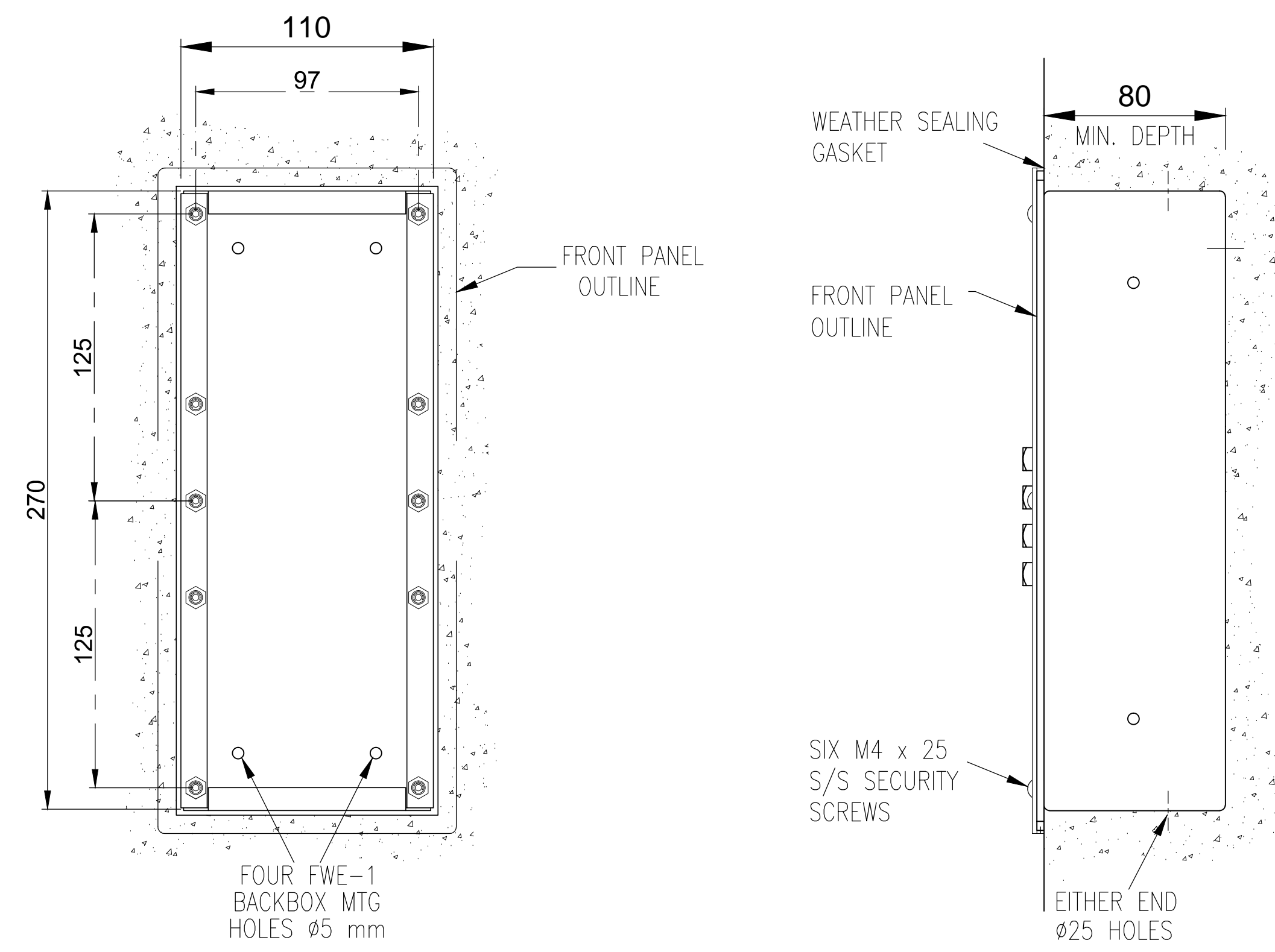
(C) Copyright Jacques Technologies Pty Ltd. All rights reserved.  
28-30 Bank Street, West End Q 4101  
Ph: +61 7 3846 8400  
www.jacques.com.au info@jacques.com.au

<b>VSL-74K VoIP INTERCOM INSTALLATION DETAILS</b>			
DRAWN: LFB	DATE: 2016-04-01	ADAPTED FROM: N/A	FILENAME: VSL-74K-INS.dwg
CHECKED:	DATE:	SCALE: N.T.S.	SHEET: 1 of 2
APPROVED:	DATE:	DWG NO: VSL-74K-INS	REV: 1

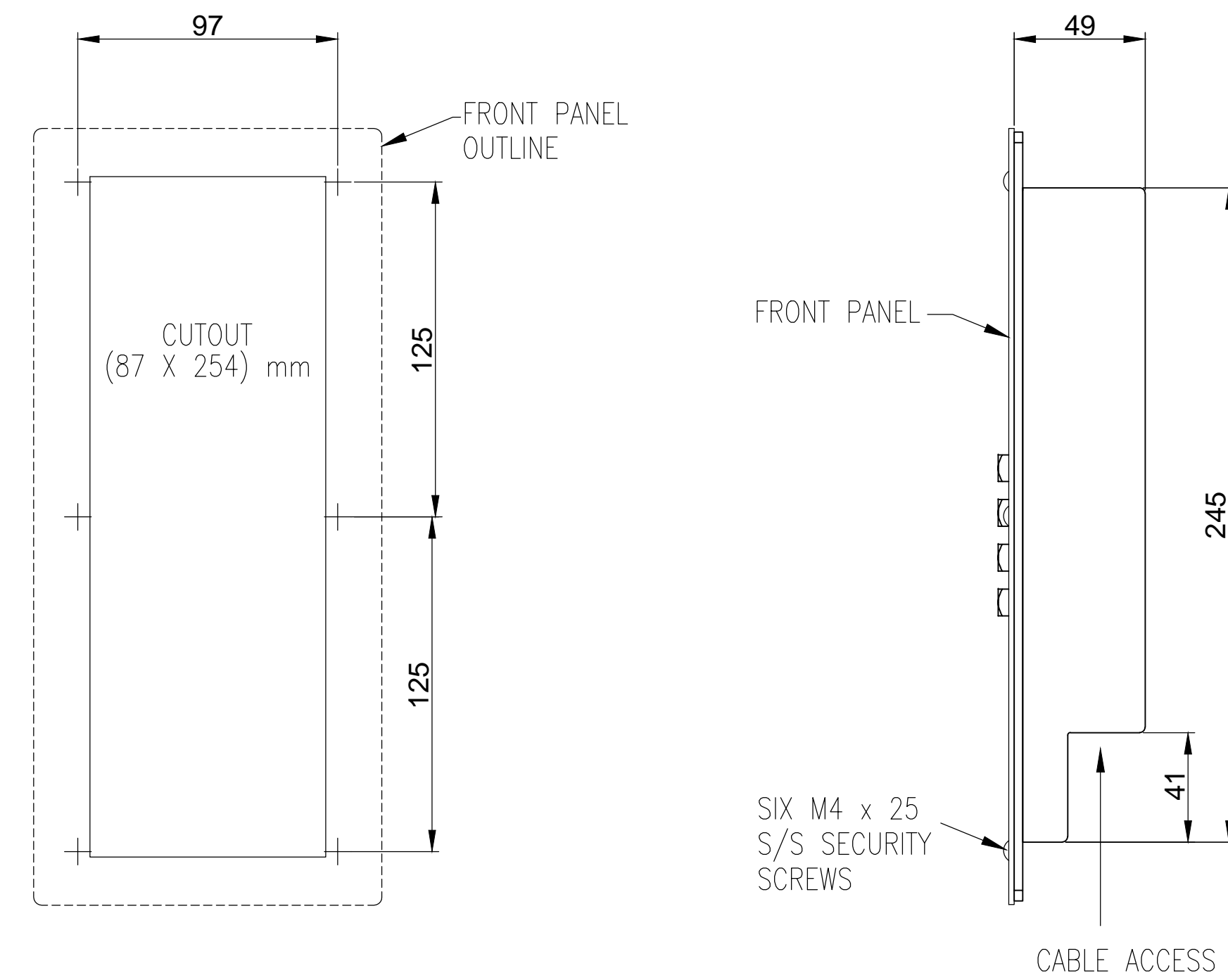
DO NOT SCALE

IF IN DOUBT - ASK!

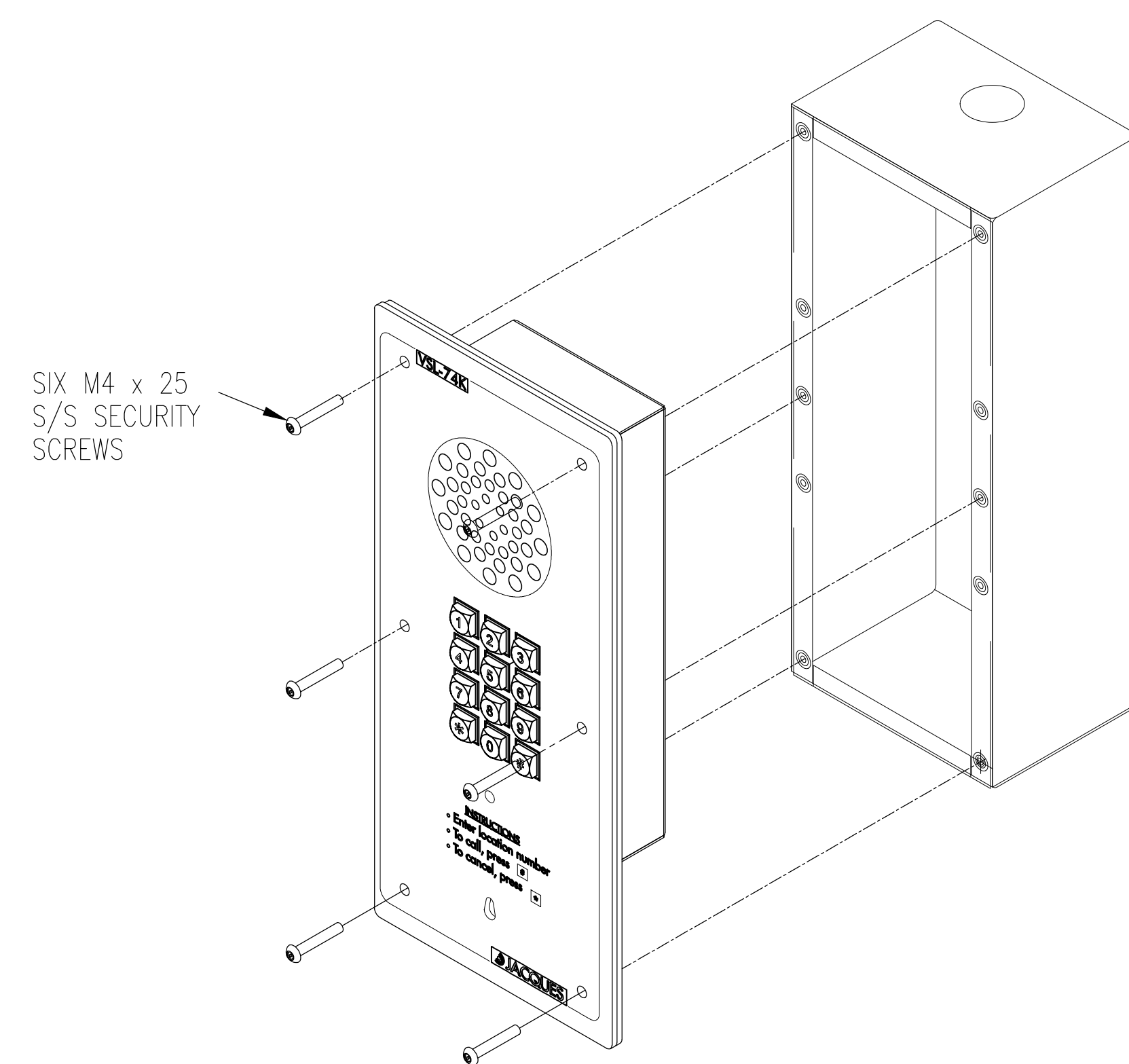
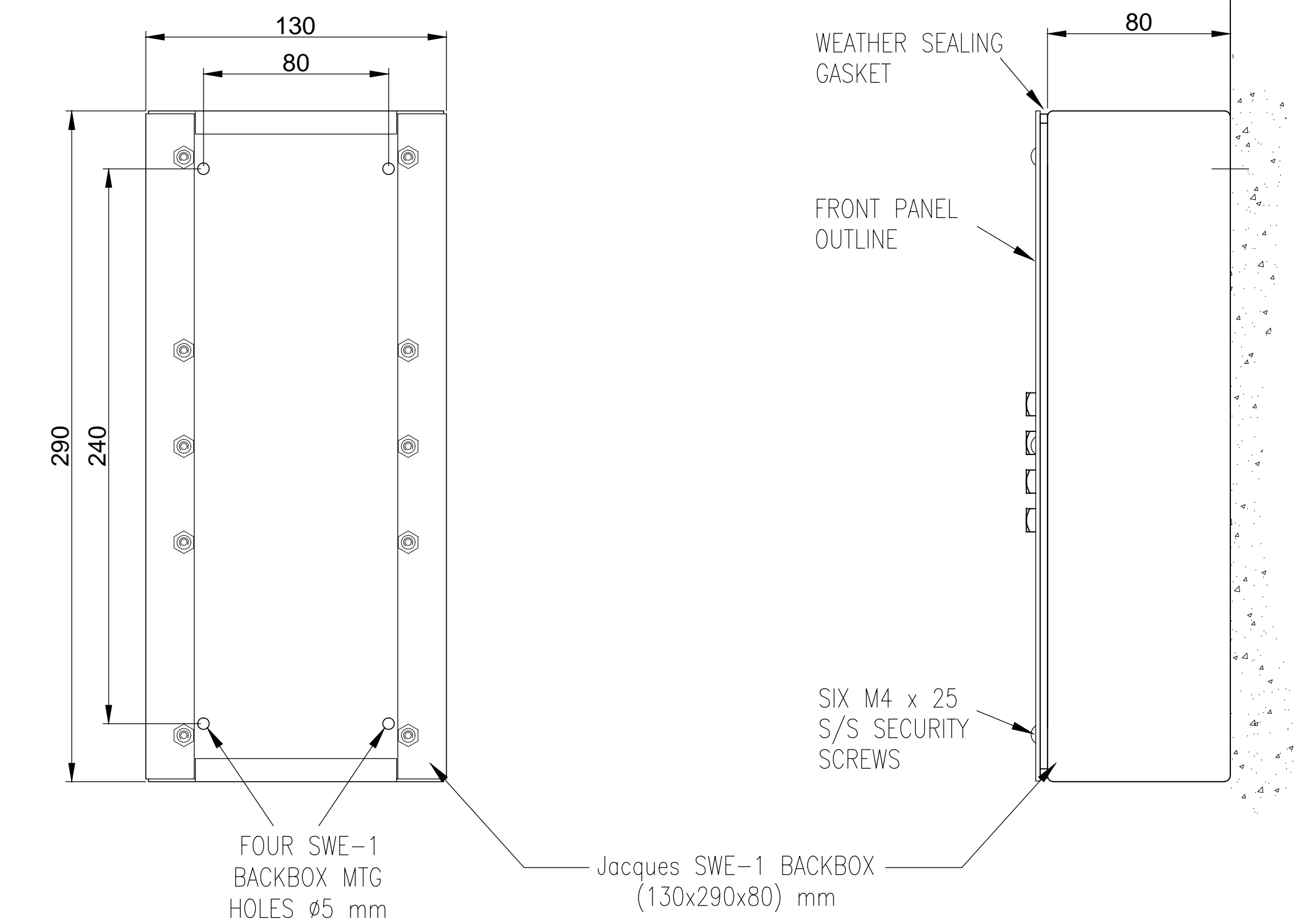
FLUSH WALL MOUNTING USING FWE-1 BACKBOX



FLUSH MOUNTING INTO FLAT PANEL



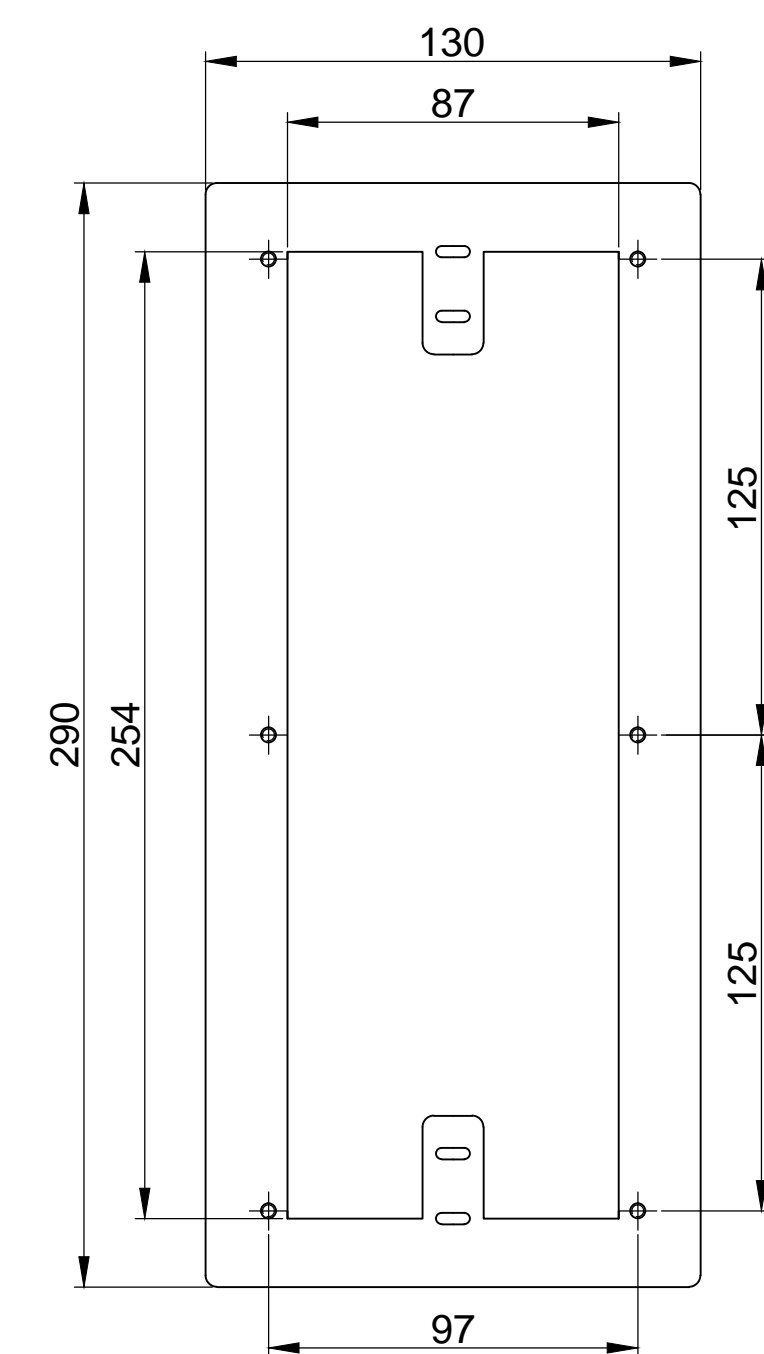
SURFACE WALL MOUNTING USING SWE-1/SWE-9 BACKBOX



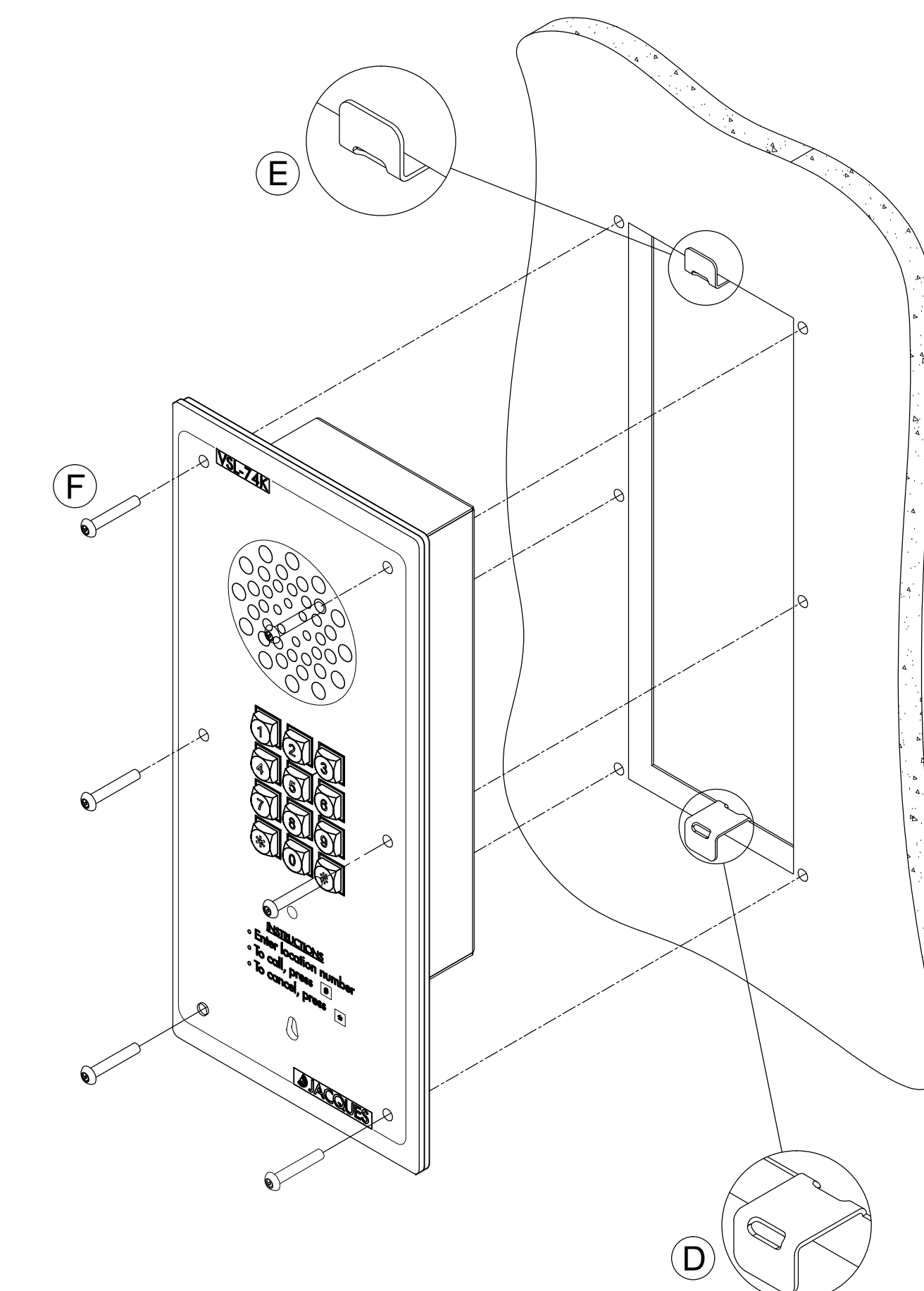
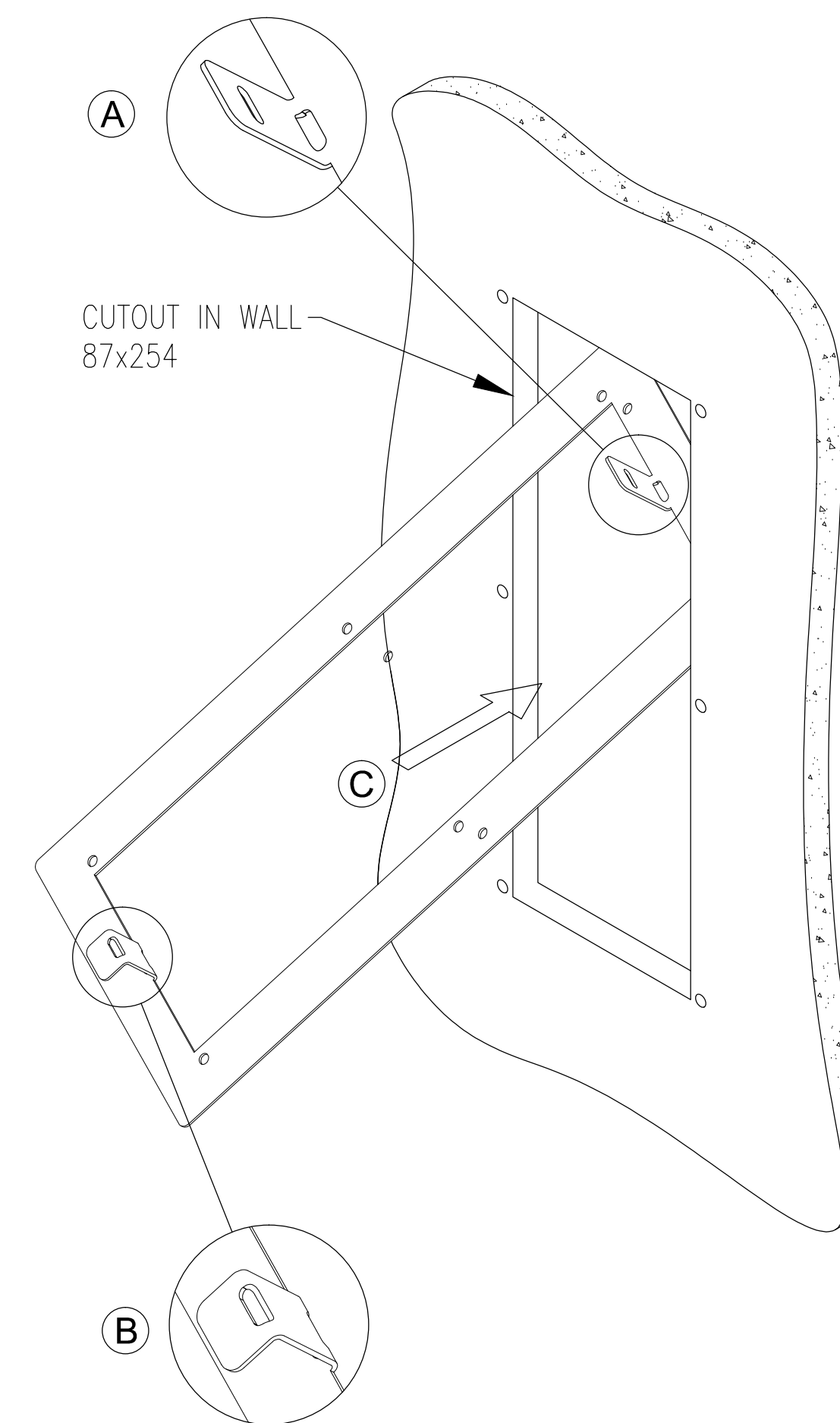
INSTALLATION INSTRUCTIONS:

1. FWE-1 IS USED FOR CONCRETE OR MASONRY WALL INSTALLATIONS.
2. CUT OUT, OR USE A FORMED, IN PLACE CAVITY OF THE SIZE NOTED.
3. MORTAR AND GROUT THE BACKBOX INTO THE WALL CAVITY. MASONRY FIXINGS MAY ALSO BE USED. DRILL HOLES TO SUIT.
4. FIT THE INTERCOM IN PLACE USING M4x25 mm SECURITY SCREWS, JACQUES PART NO. HW684.

PLASTER BOARD WALL MOUNTING



WALL BRACKET (FOR PLASTER BOARD WALL MOUNTING)



INSTALLATION INSTRUCTIONS

1. USE PLASTERBOARD BRACKET AS MARKING GUIDE FOR WALL CUTOUT SIZE AND 6 MOUNTING POSITIONS IN WALL.
2. BEND THE UPPER TAB IN BRACKET AS SHOWN. (A)
3. BEND THE LOWER TAB IN BRACKET AS SHOWN. (B)
4. INSERT WALL BRACKET THROUGH CUTOUT AT ANGLE SHOWN. ROTATE BRACKET TO VERTICAL POSITION UP AGAINST BACK OF PLASTER BOARD WALL. (C)
5. HOOK LOWER TAB OVER EDGE OF CUTOUT AS SHOWN. (D)
6. FOLD UPPER TAB OVER CUTOUT EDGE AS SHOWN. (E)
7. FIT UNIT WITH 6 M4x25 mm S/S SECURITY SCREWS. (F)

REV	DATE	CHANGE DESCRIPTION	BY
0	2016-04-01	FIRST RELEASE	LFB
1	2020-02-13	PART NUMBER CORRECTED. PANEL LENGTH DIMENSION CORRECTED (SHEET 1).	LFB



(C) Copyright Jacques Technologies Pty Ltd. All rights reserved.  
28-30 Bank Street, West End Q 4101  
Ph: +61 7 3846 8400  
www.jacques.com.au info@jacques.com.au

VSL-74K VoIP INTERCOM  
INSTALLATION DETAILS

DRAWN:	DATE:	ADAPTED FROM:	FILENAME:
LFB	2016-04-01	N/A	VSL-74K-INS.dwg
CHECKED:	DATE:	SCALE:	SHEET:
		N.T.S.	2 of 2
APPROVED:	DATE:	DWG NO:	REV:
		VSL-74K-INS	1