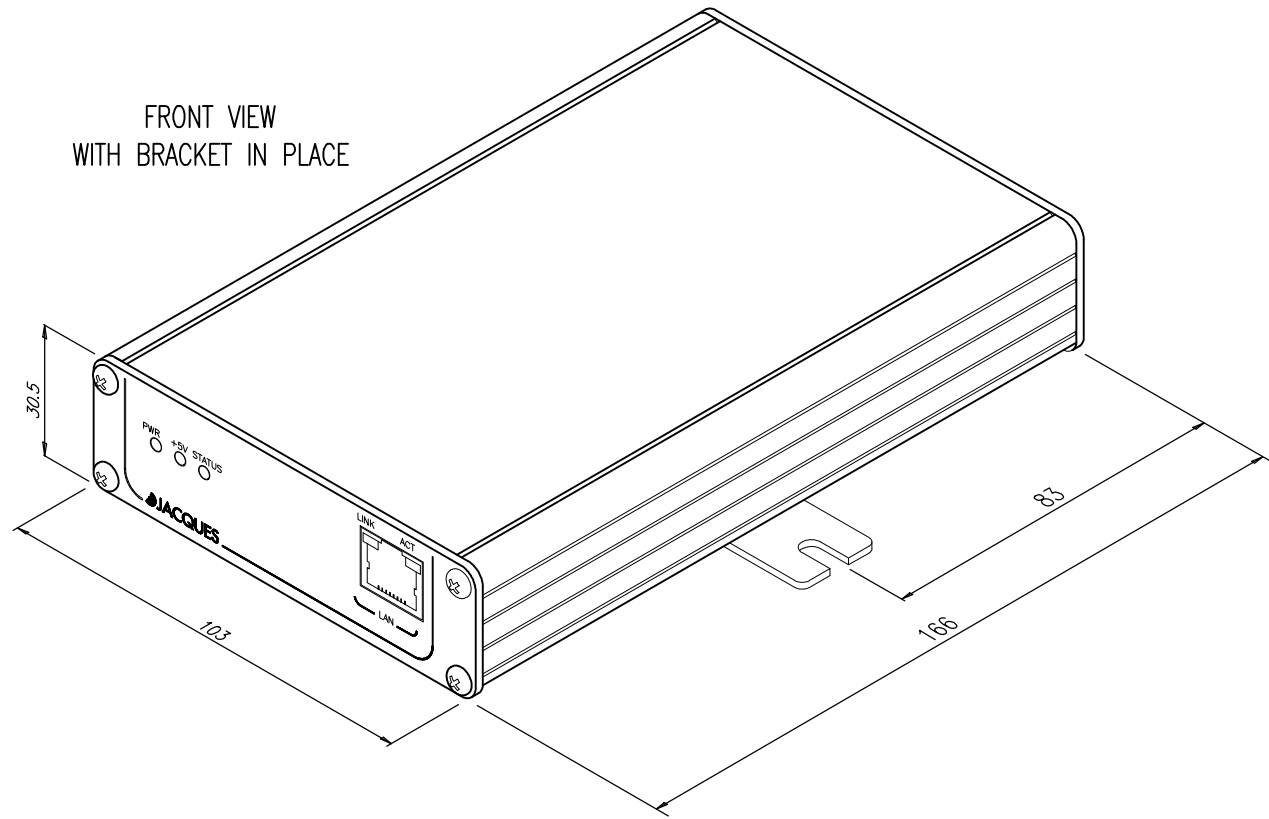
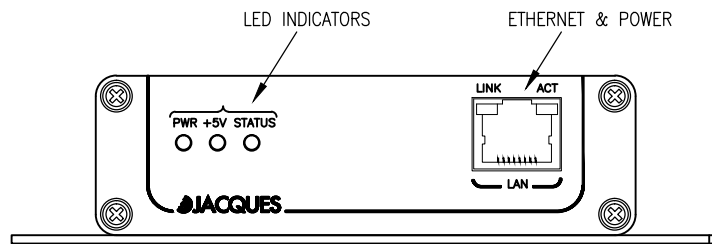
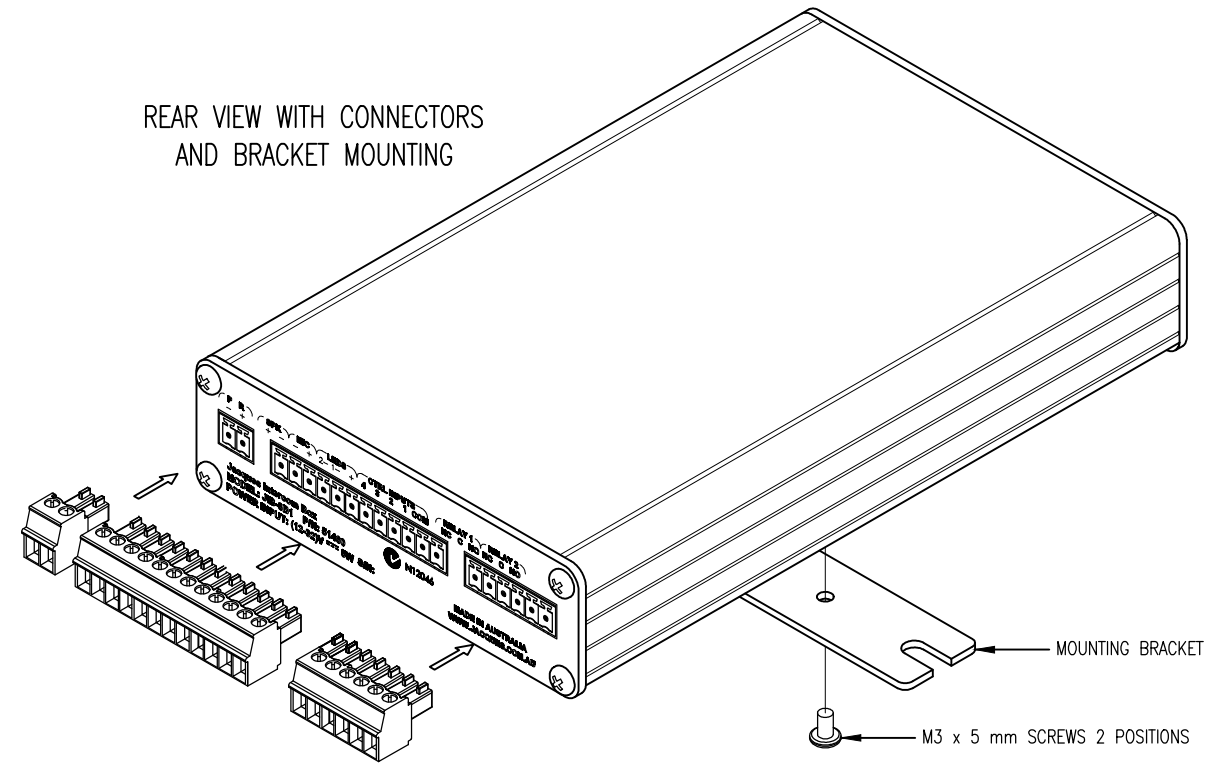


# JIB-3B1 JEM IN A BOX

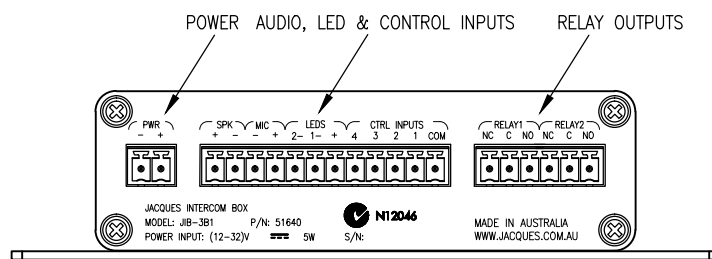
FRONT VIEW  
WITH BRACKET IN PLACE



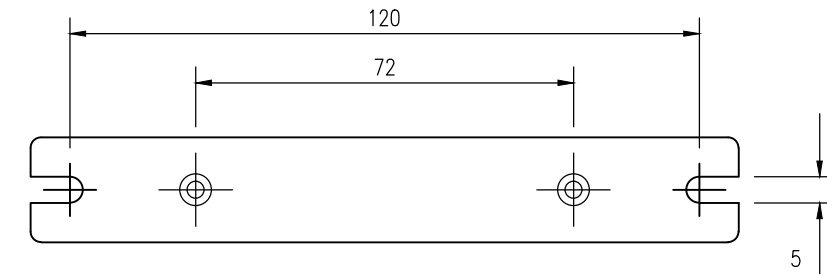
REAR VIEW WITH CONNECTORS  
AND BRACKET MOUNTING



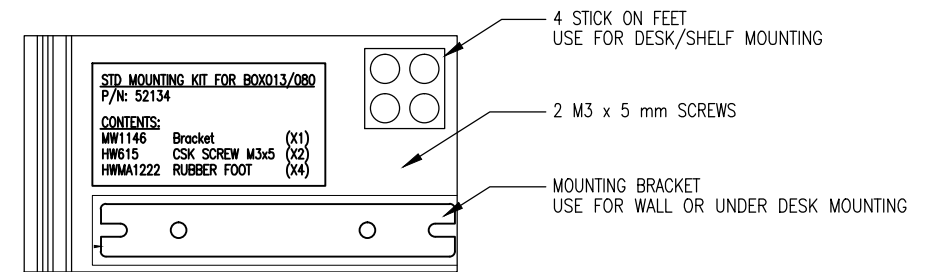
FRONT PANEL



REAR PANEL



MOUNTING BRACKET DETAIL

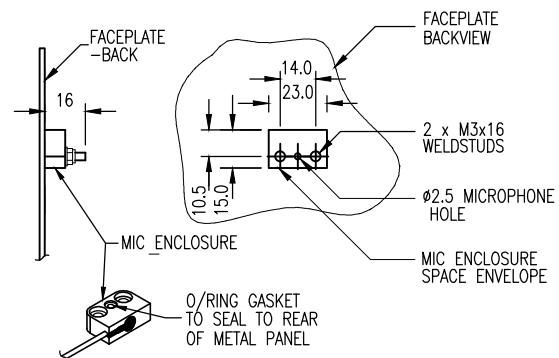
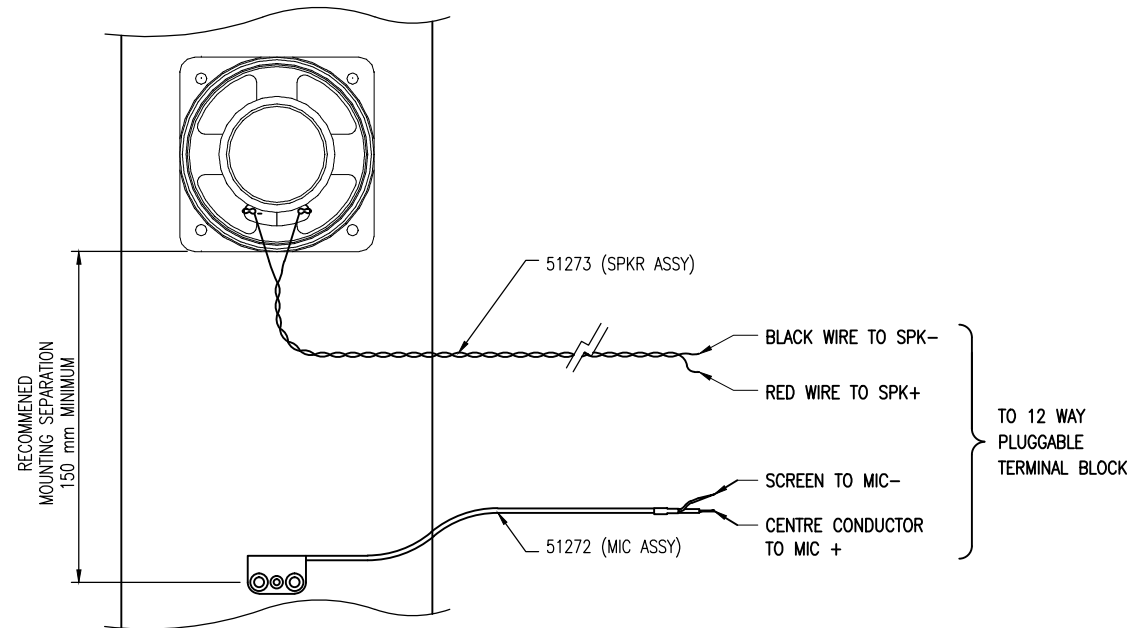


MOUNTING HARDWARE KIT  
(P/N 52134)

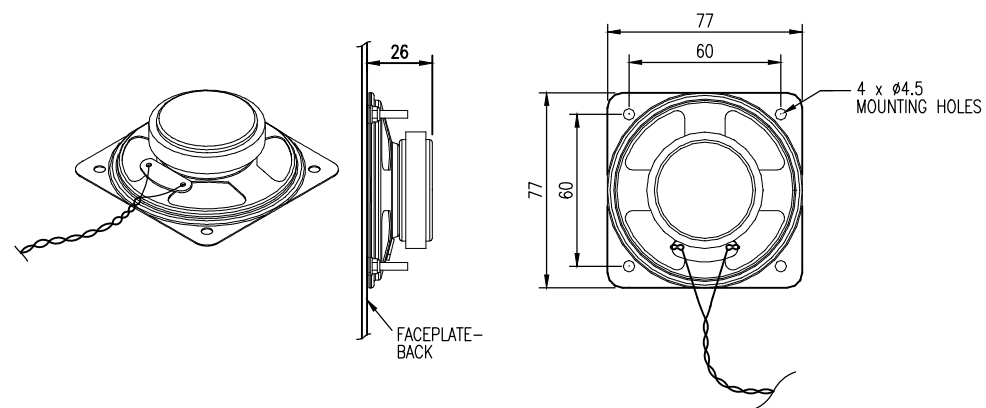
FIRST USE & REVISION NOTES		DATE	INIT	JACQUES ELECTRONICS		
1. 51460 INS SPLIT INTO 2 SHEETS.		02/08/11	LFB	JIB-3B1 JACQUES INTERCOM BOX INSTALLATION DETAILS		
SIZE A2	ADAPTED FROM 51161-INS	REVISION 1	SCALE N.T.S.		SHEET 1 OF 2	
DATE 13/09/2007	DRAWN: CHECKED:	M.A.JONES				
DWG No. 51460 INS-1						

# JIB-3B1 JEM IN A BOX

## SPEAKER AND MICROPHONE INSTALLATION DETAILS (OPTIONALLY SUPPLIED)

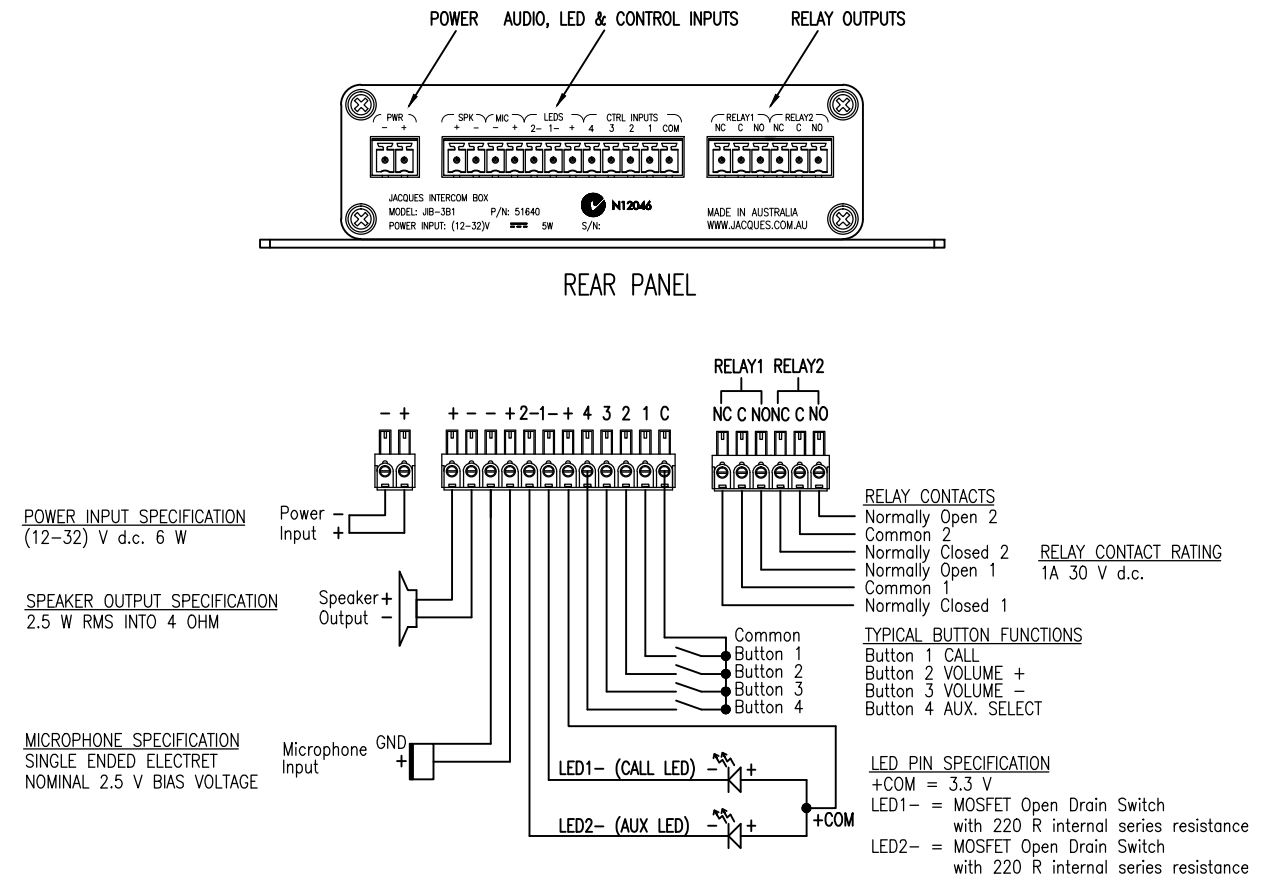


**MICROPHONE INSTALLATION DETAIL**  
(MICROPHONE ASSY P/N 51272)



**SPEAKER INSTALLATION DETAIL**  
(SPEAKER ASSY P/N 51273)

## TERMINATION DETAILS



### NOTES:

- JIB-3B1 Supplied with 52134 mounting kit and all rear panel pluggable terminal blocks.
- All rear panel plug connectors are DINKLE EC381V-02P, EC381V-12P and EC381V-06P respectively, from left to right.
- Ethernet port on the front of the JIB-3B1 is via an RJ45 plug using Standard EIA568A pin out.
- CAT5E/6 24AWG 4 pair multistrand patch cable is to be used for the Ethernet connection.
- The Ethernet port may also be used as an alternative power input.
- The Ethernet port is Jacques PoE compatible. (NOT IEEE 802.3af PoE).
- Speaker, Microphone, LED and Piezo Button cable assemblies are supplied optionally.
- Recommended maximum cable length for the items in the note 7 is 1.5 metres.

### FIRST USE & REVISION NOTES

1. 51460 INS SPLIT INTO 2 SHEETS.

DATE  
02/08/11  
INIT  
LFB

## JACQUES ELECTRONICS

JIB-3B1 JACQUES INTERCOM BOX  
INSTALLATION DETAILS

SIZE A2	ADAPTED FROM 51161-INS	REVISION 1	SCALE N.T.S.
DATE 13/09/2007	DRAWN: CHECKED:	M.A.JONES	SHEET 2 OF 2

DWG No. 51460 INS-1