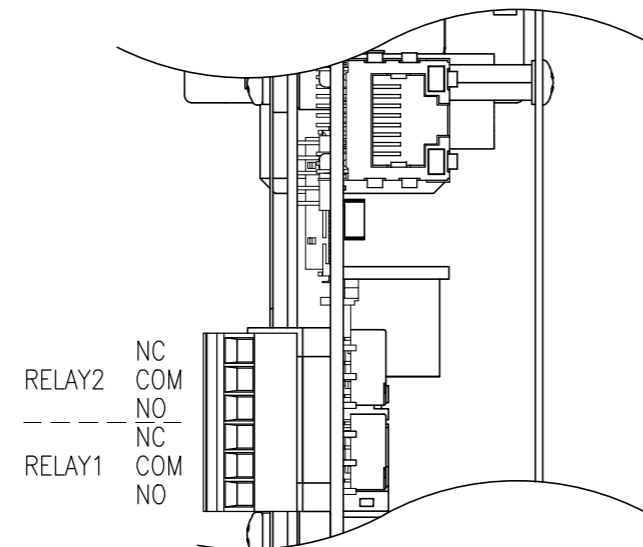
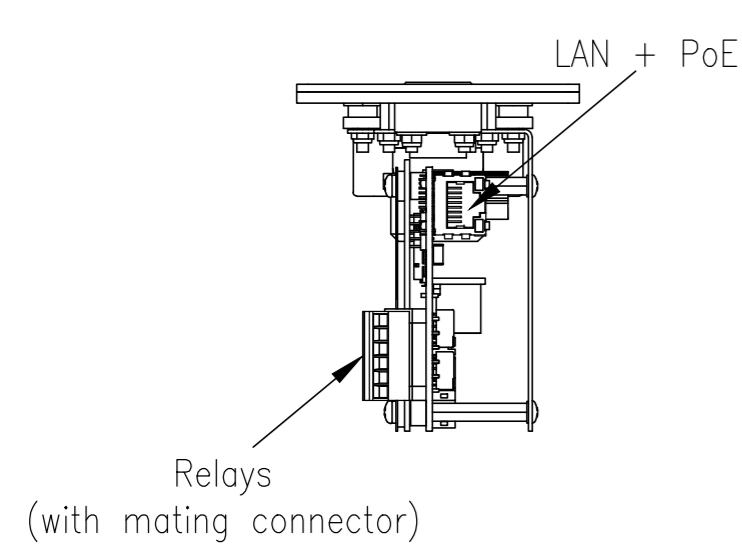
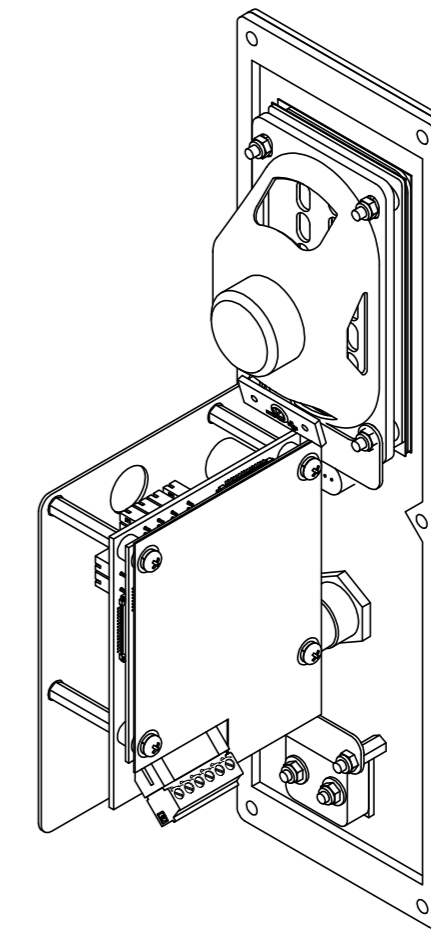
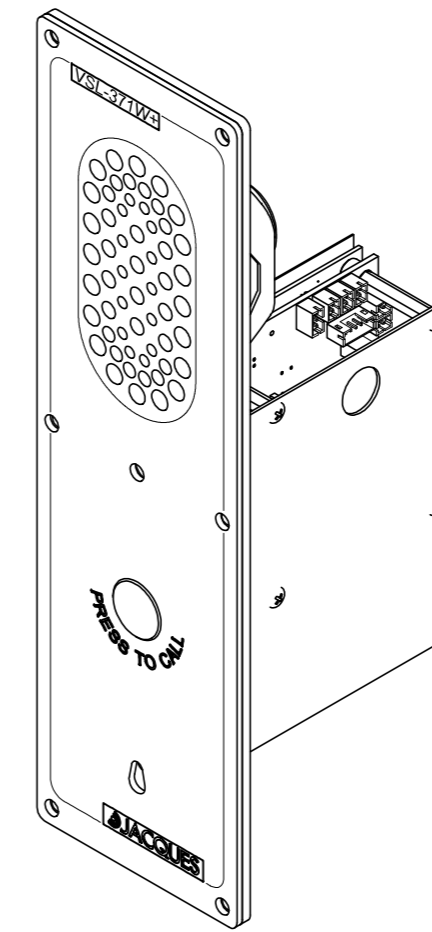
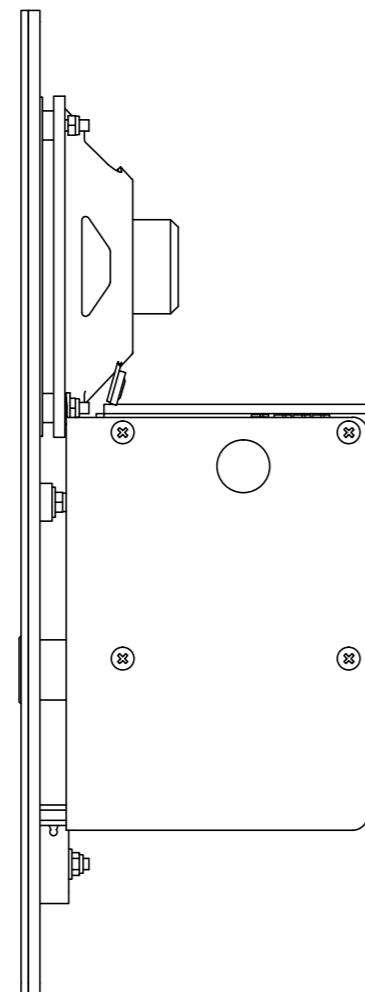
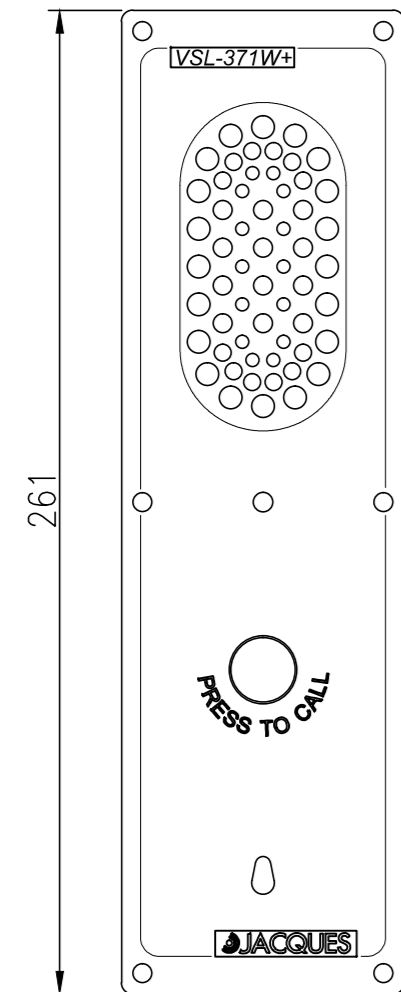
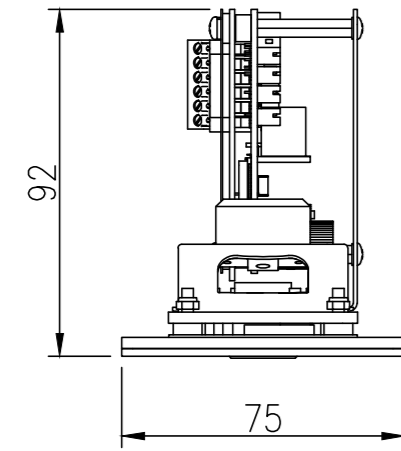


DO NOT SCALE

IF IN DOUBT - ASK!

# VSL-371W+ INTERCOM STATION INSTALLATION (P/N: 51672)



Notes:

1. Power Input: via IEEE 802.3af PoE (Class 2)
2. Relay contacts rating: 30 V d.c. / 2 A

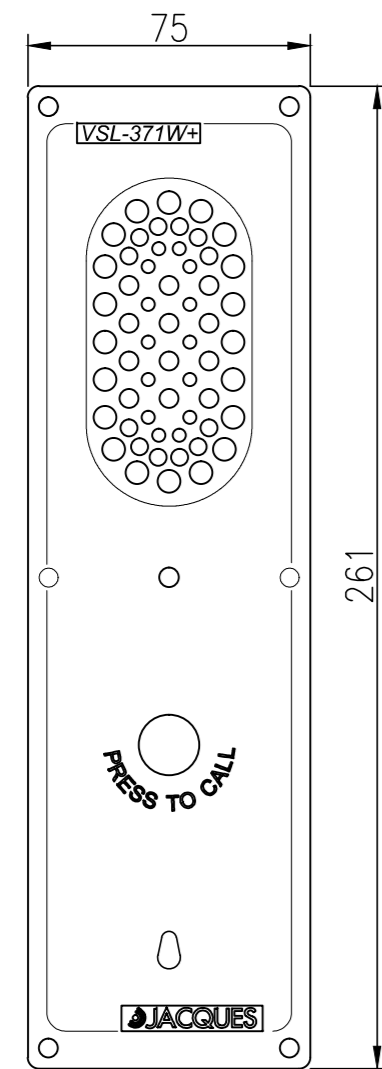
REV	DATE	CHANGE DESCRIPTION	BY
1			

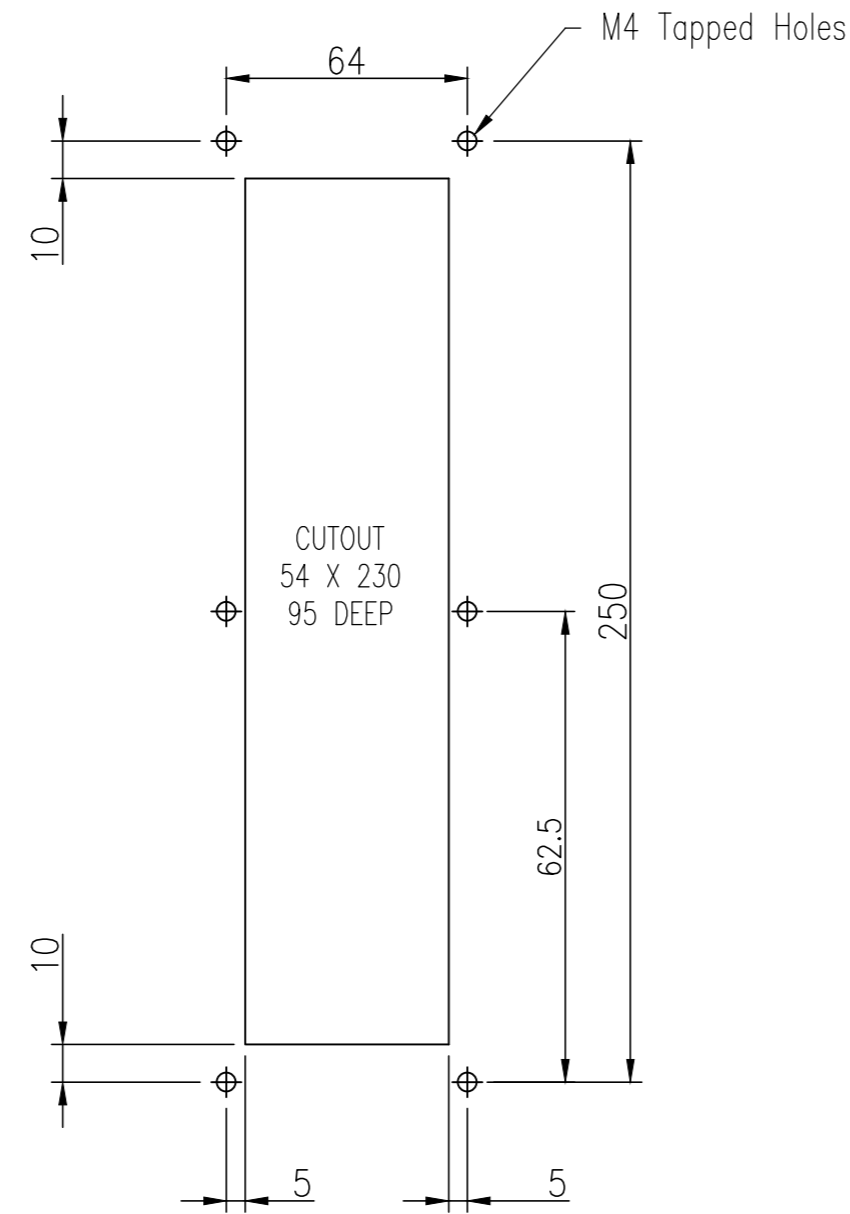
		<small>(C) Copyright Jacques Electronics Pty Ltd. All rights reserved. 268 Montague Rd., West End, 4101, Australia Ph: +61 7 3844 1078 Fax: +61 7 3844 1078 www.jacques.com.au info@jacques.com.au</small>	
		<b>VSL-371W+ INTERCOM STATION</b>	
DRAWN:	DATE:	ADAPTED FROM:	FILENAME:
LFB	2014-05-06	N/A	51672-INS.dwg
CHECKED:	DATE:	SCALE:	SHEET:
		N.T.S.	1 of 2
APPROVED:	DATE:	DWG NO:	REV:
		51672-INS	0

DO NOT SCALE  
IF IN DOUBT - ASK!

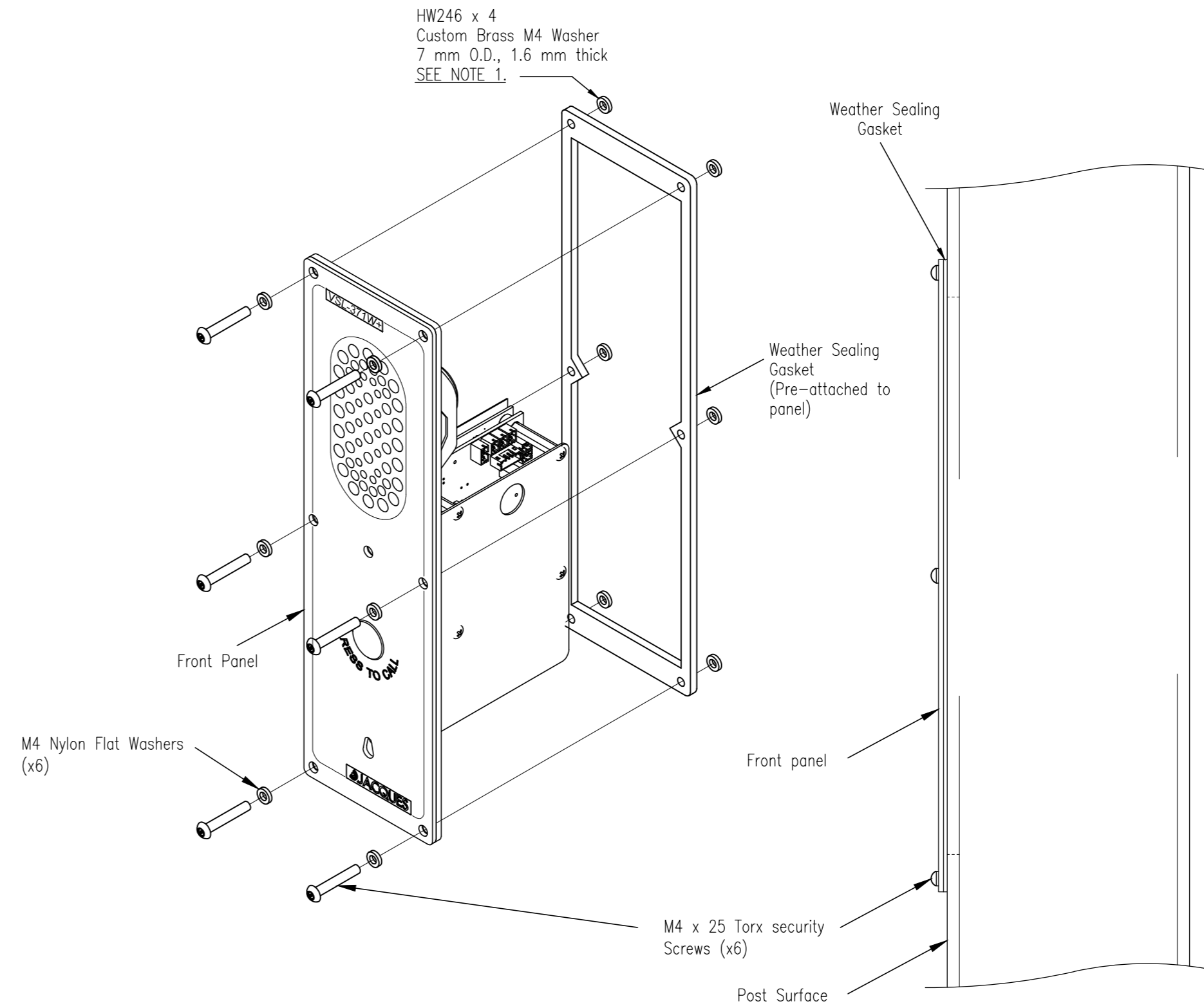
# MOUNTING VSL-371W+ TO A PANEL OR BOLLARD



FRONT PANEL DIMENSIONS  
VSL-371W+



CUTOUT DETAILS AND  
MOUNTING HOLE  
POSITIONS



**Notes:**

1. The custom brass washers supplied must be utilised. Without them, excessive panel bowing will occur and may result in ineffective sealing.

REV	DATE	CHANGE DESCRIPTION	BY
1			

		<small>(C) Copyright Jacques Electronics Pty Ltd. All rights reserved. 268 Montague Rd., West End, 4101, Australia Ph: +61 7 3844 1078 Fax: +61 7 3844 1078 www.jacques.com.au info@jacques.com.au</small>	
		<b>VSL-371W+ INTERCOM STATION</b>	
DRAWN:	DATE:	ADAPTED FROM:	FILENAME:
LFB	2014-05-06	N/A	51672-INS.dwg
CHECKED:	DATE:	SCALE:	SHEET:
		N.T.S.	2 of 2
APPROVED:	DATE:	DWG NO:	REV:
		51672-INS	0