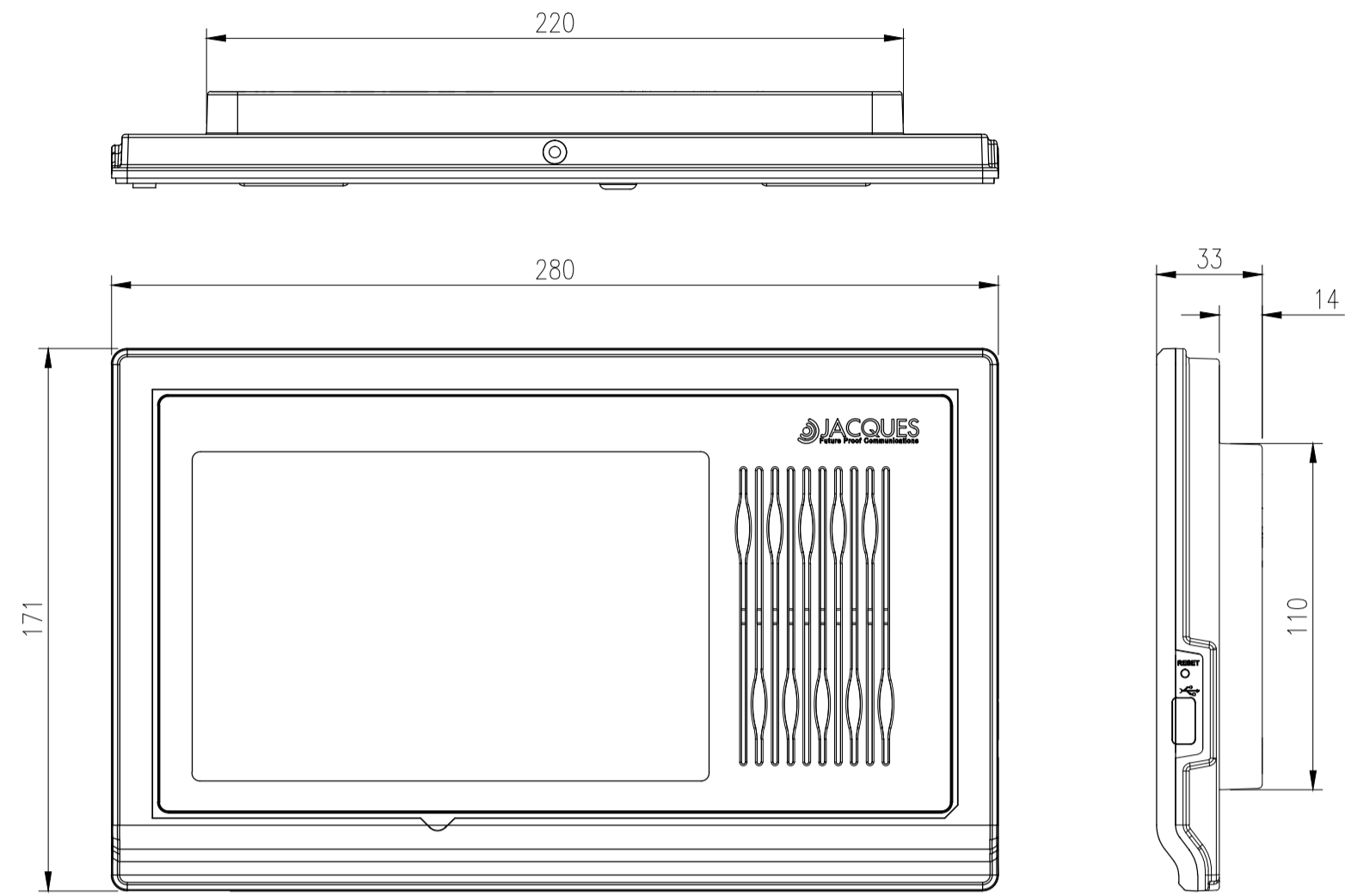


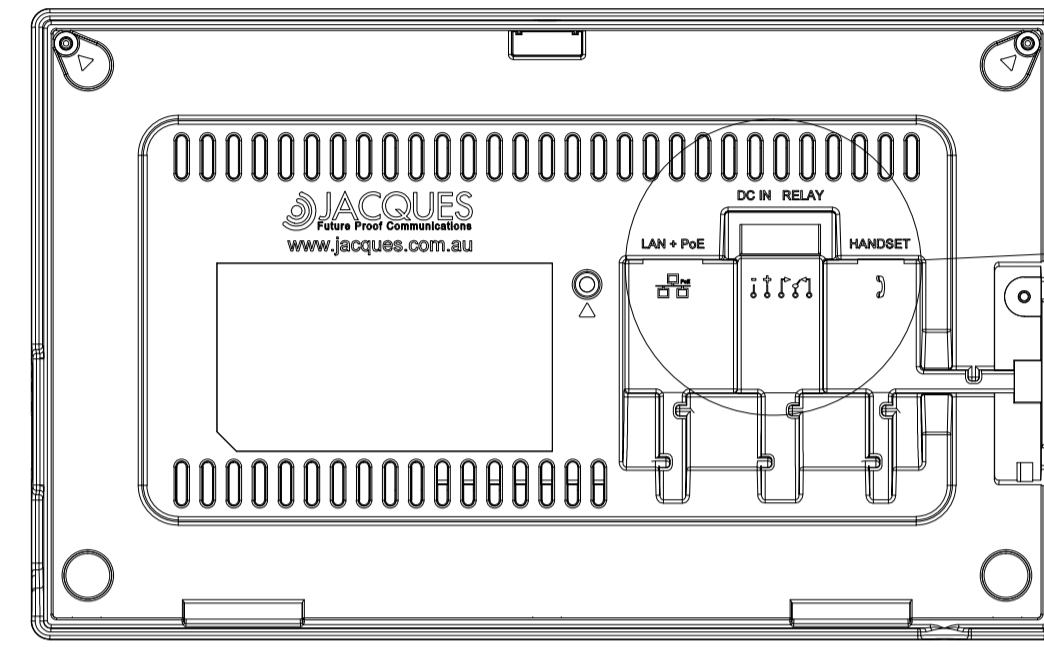
DO NOT SCALE  
IF IN DOUBT - ASK!

VIDEO INTERCOM MONITOR STATION  
MODEL: VMS-750  
P/N: 51336

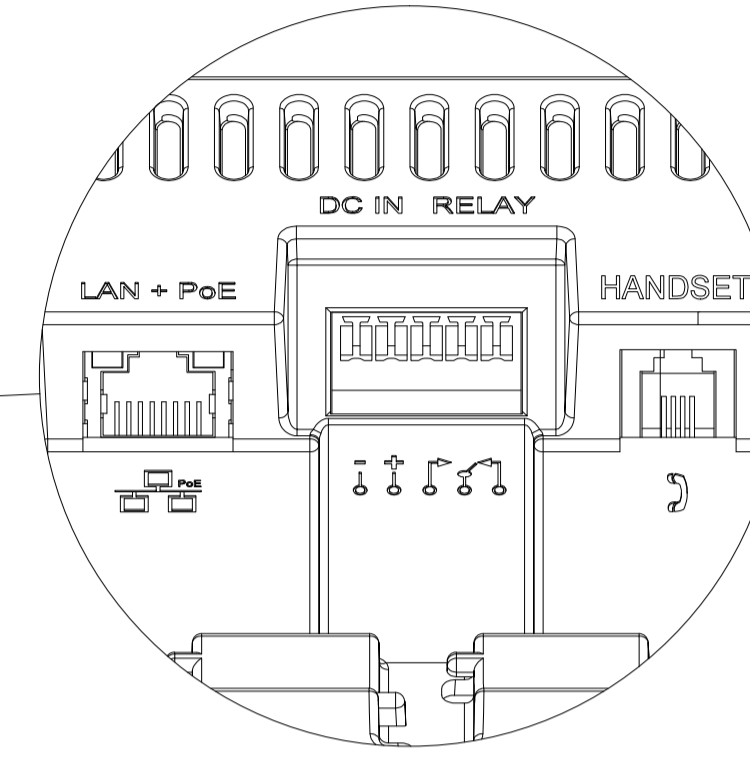
MOUNTING SCREWS  
1 x M3x8 mm CSK BLACK MACHINE SCREW  
4 x 8Gx20 mm CSK SCREWS



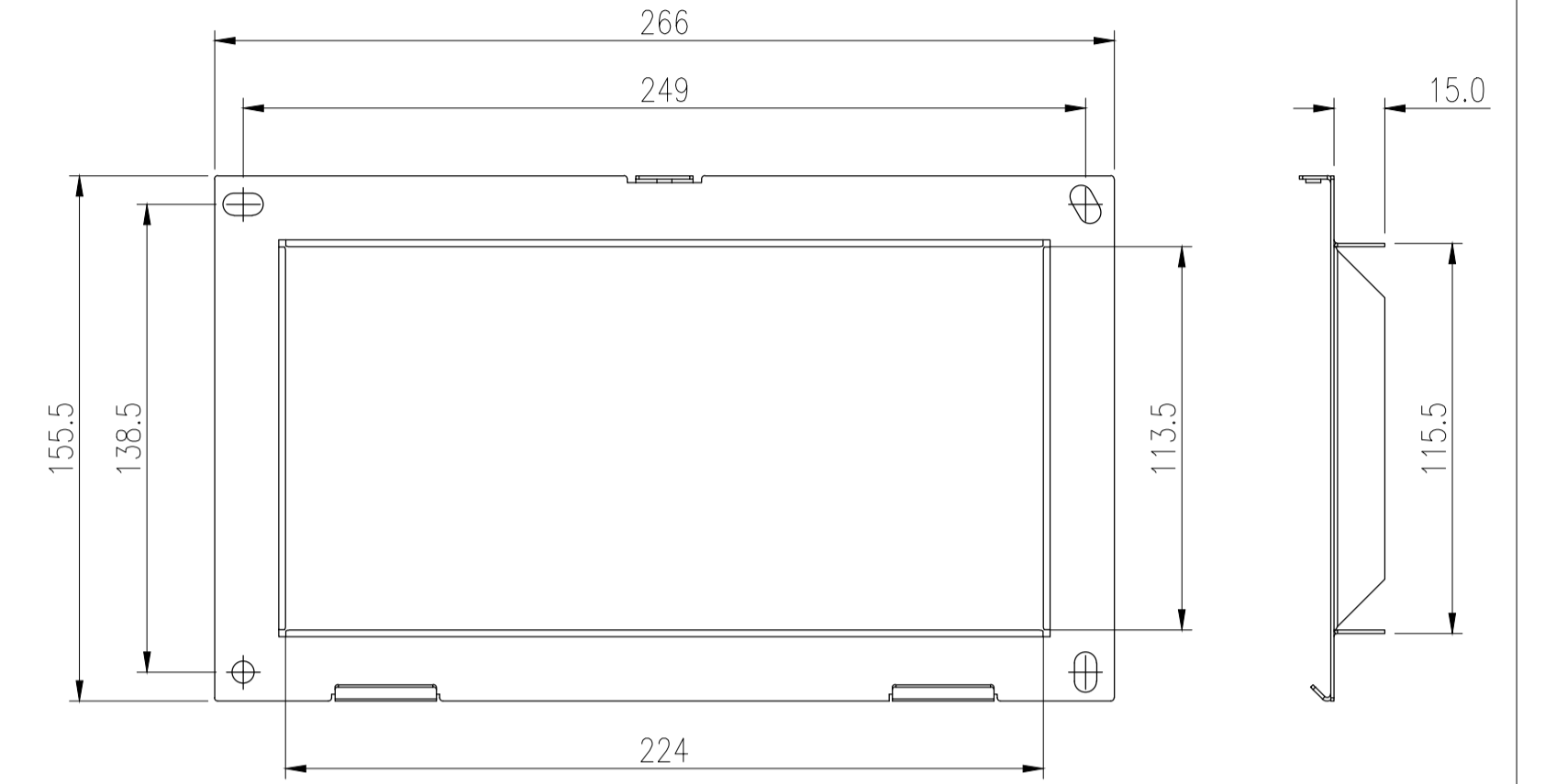
FRONT VIEW



REAR VIEW

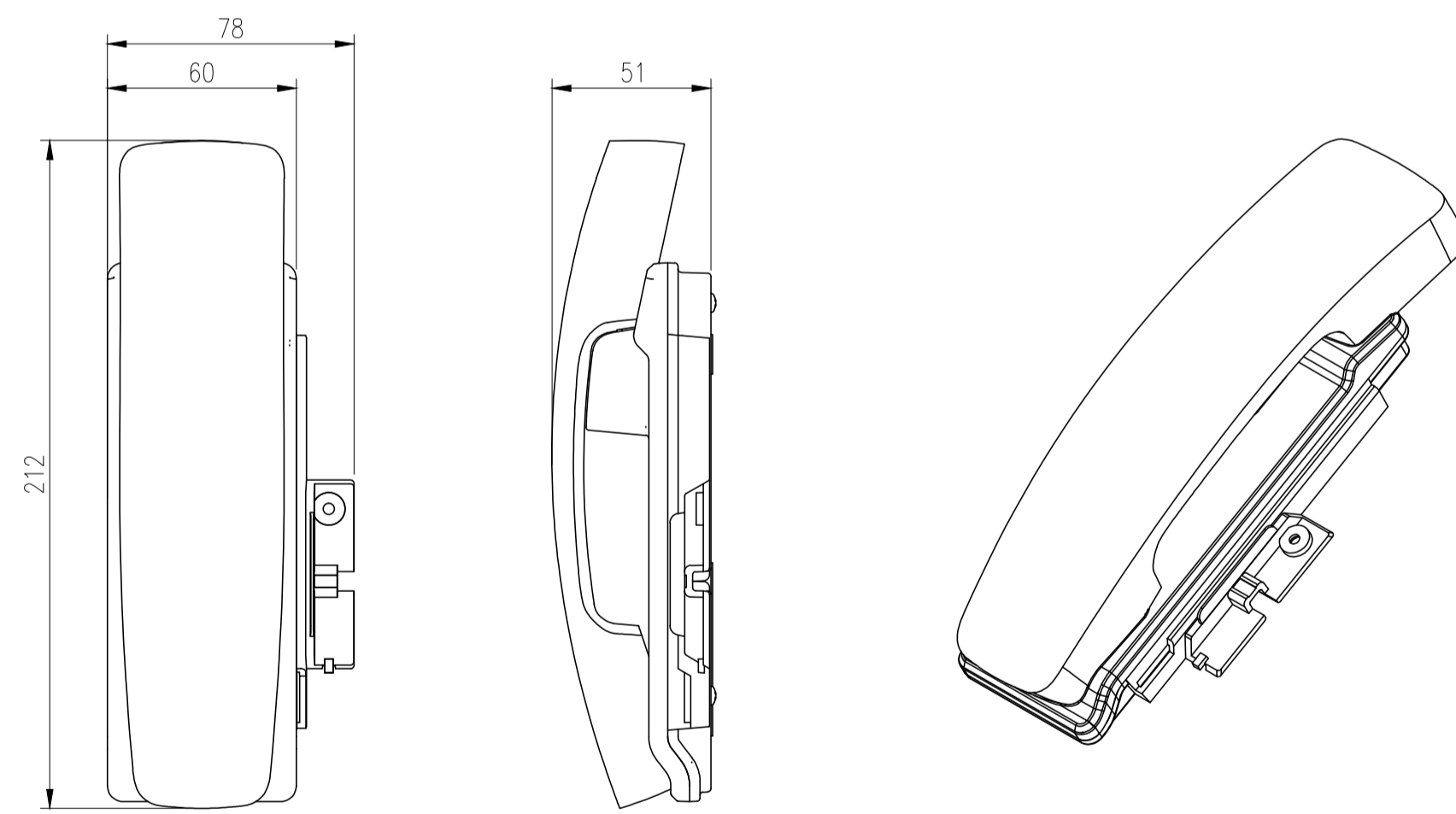


VIEW SHOWING CONNECTORS



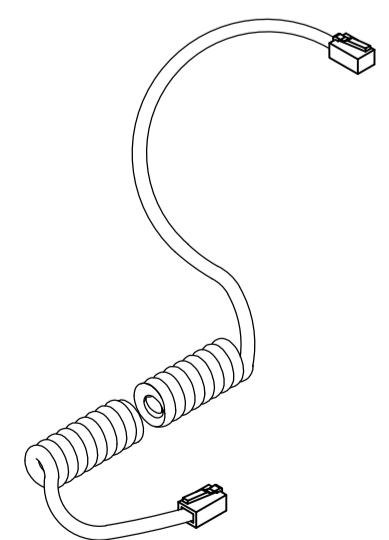
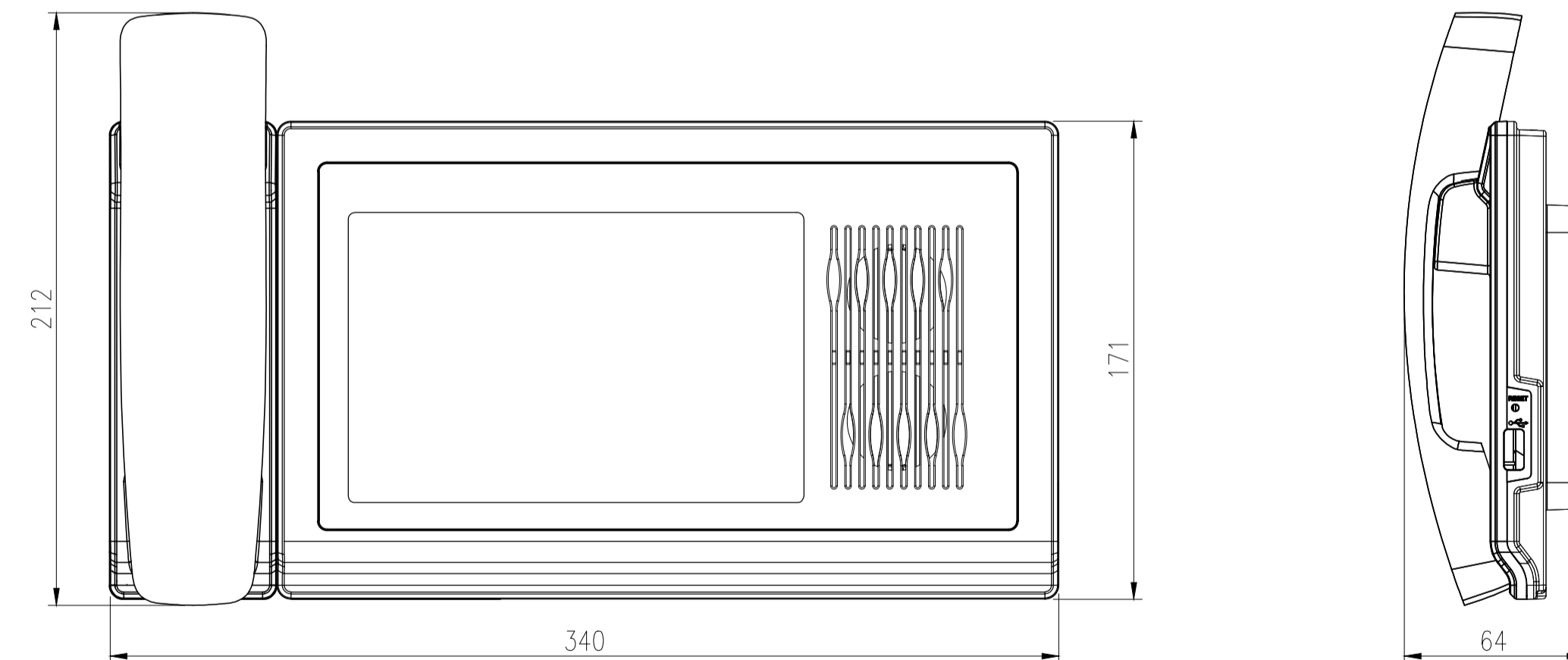
WALL MOUNTING BRACKET

JACQUES INTERCOM HANDSET  
MODEL: JHS-1  
P/N: 51432



HANDSET WITH CRADLE

MONITOR STATION SHOWN WITH HANDSET ATTACHED



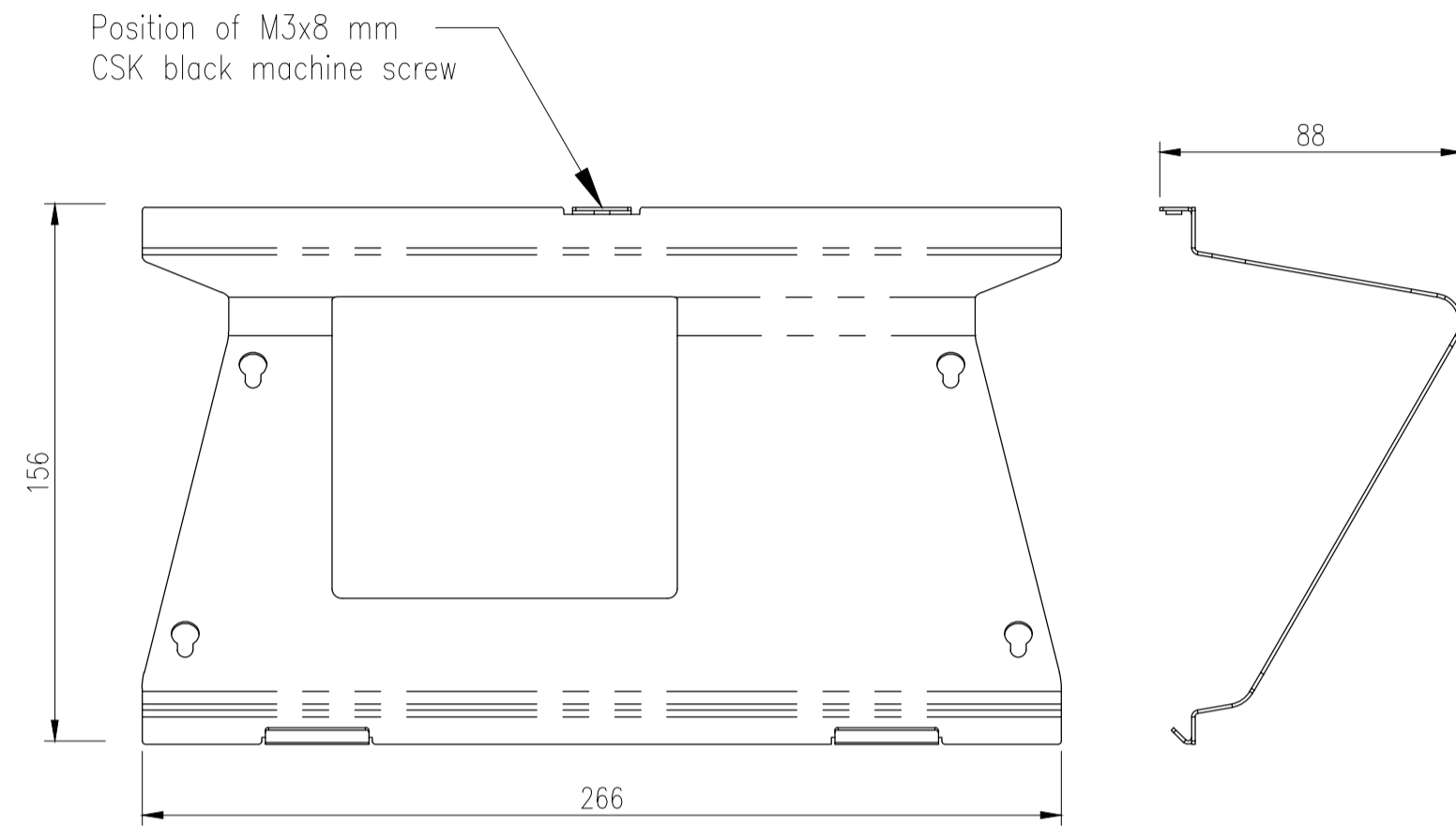
HANDSET CORD

FIRST USE & REVISION NOTES		DATE	INIT	JACQUES ELECTRONICS	
1. SHEET 5 ADDED SHOWING SURFACE MOUNTING DETAILS.		24/07/12	LFB	VMS-750x VIDEO INTERCOM MONITOR STATION INSTALLATION DETAILS	
SIZE A1	ADAPTED FROM	REVISION 1	SCALE N.T.S.		SHEET 1 OF 5
DATE 28/01/2011	DRAWN: CHECKED:	L.F.Buchly			
DWG No. VMS-750x INS-1					


DO NOT SCALE  
IF IN DOUBT - ASK!

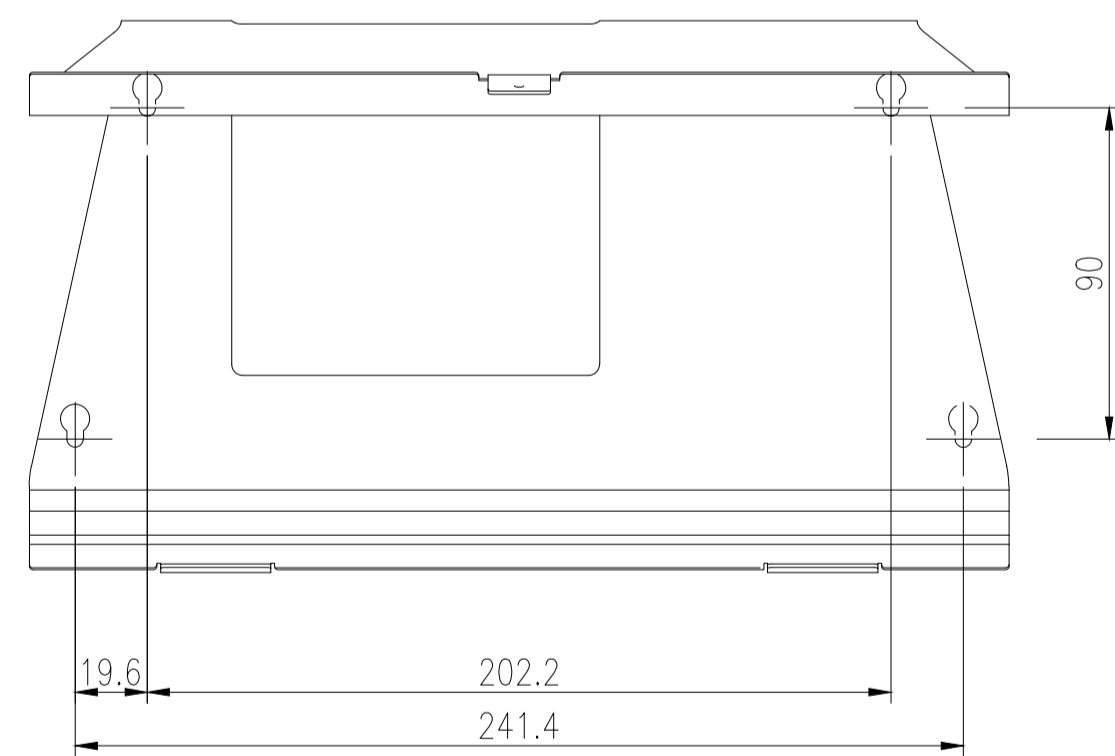
ATTACHING HANDSET TO VMS-750

DESK MOUNT STAND  
FOR USE WITH MONITOR STATION  
P/N: 51400



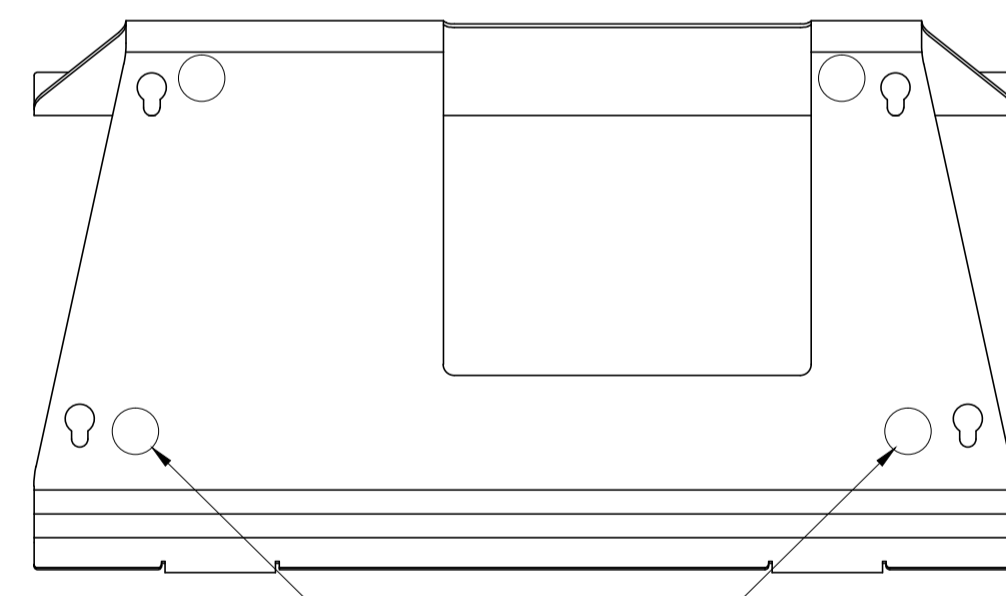
FRONT VIEW

- FIXINGS
-  4 BUMPON FEET



TOP VIEW

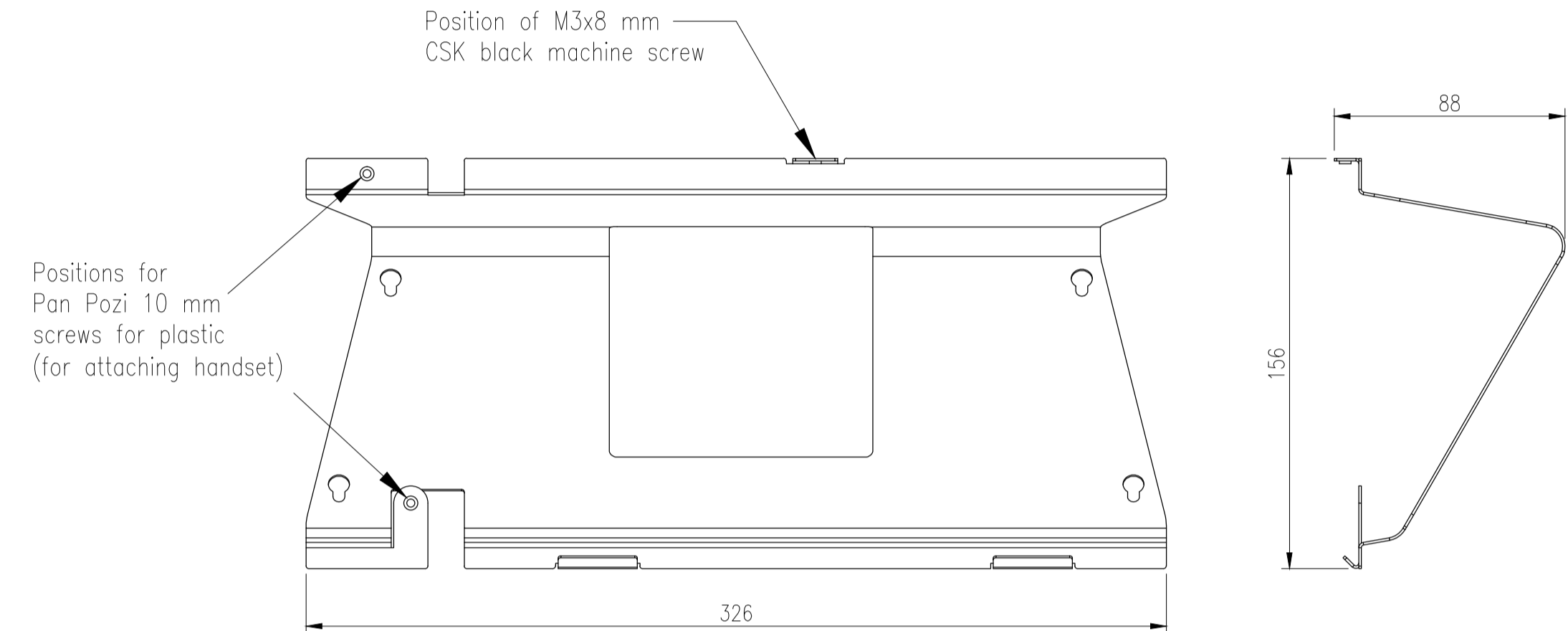
DESK MOUNTING POSITION



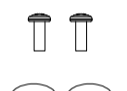

BOTTOM VIEW

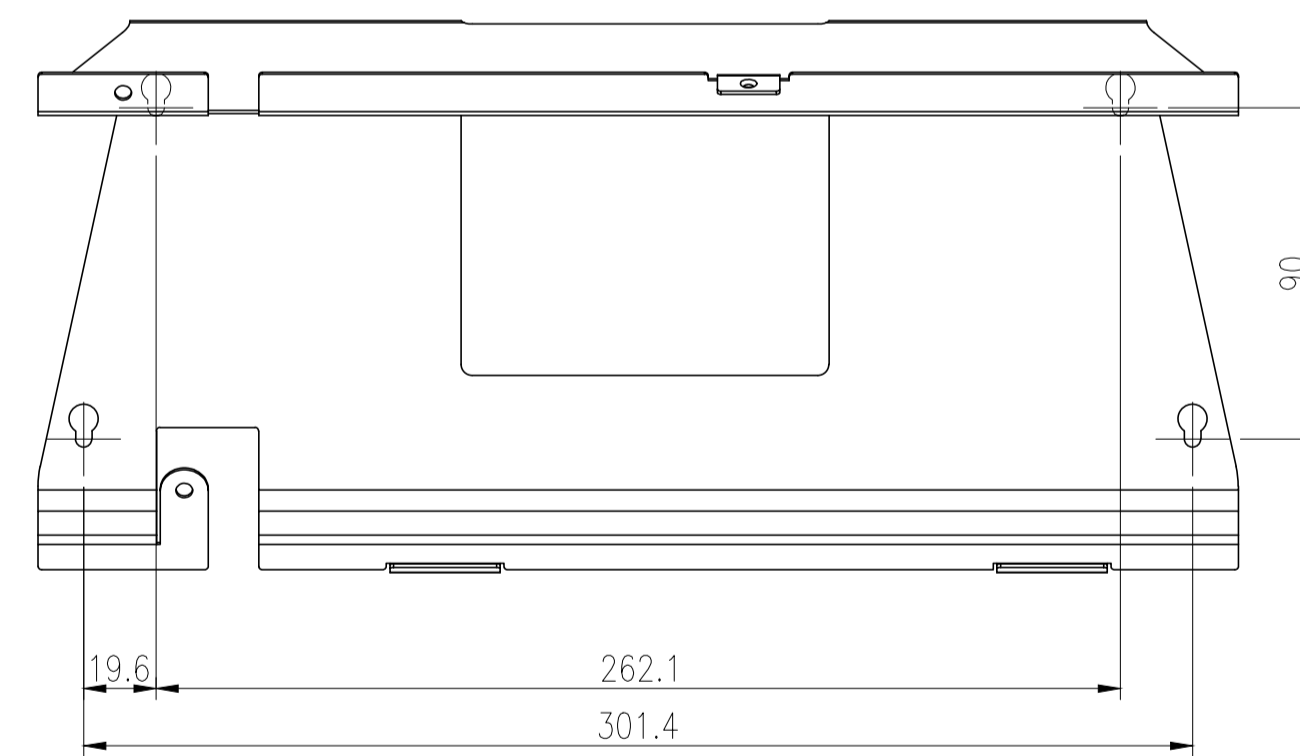
SUGGESTED POSITIONS SHOWING  
FITTING OF BUMPON FEET.

DESK MOUNT STAND  
FOR USE WITH MONITOR STATION WITH HANDSET  
P/N: 51461



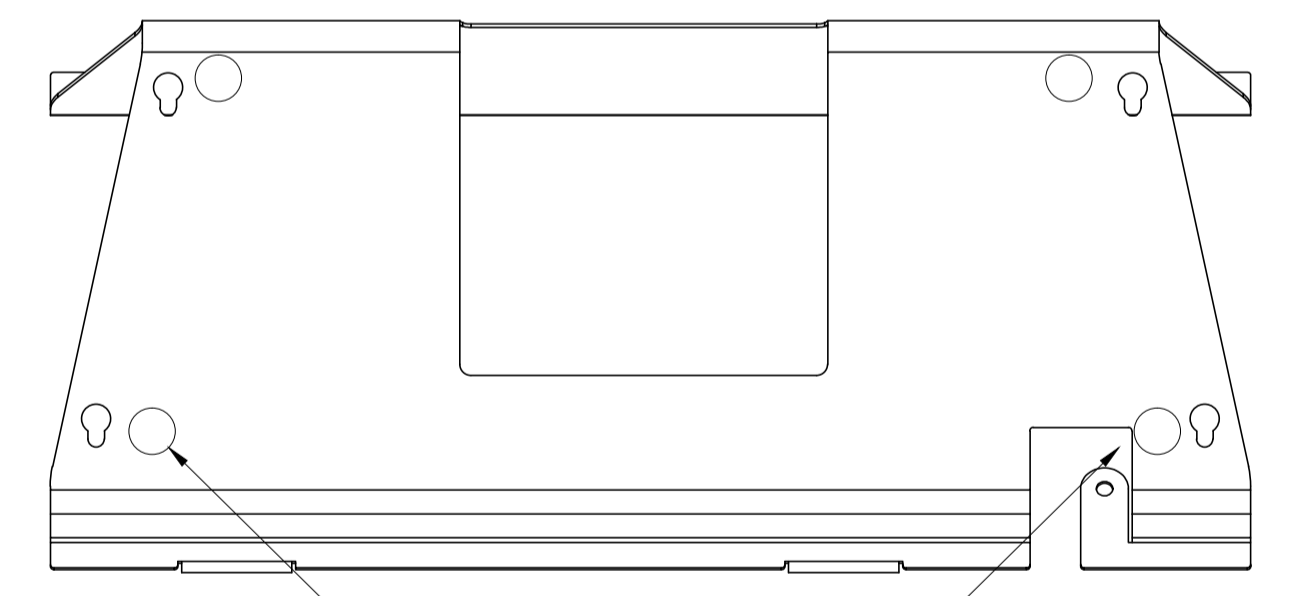
FRONT VIEW

- FIXINGS
-  2 PAN POZZI SCREWS 10 mm FOR PLASTIC
  -  4 BUMPON FEET



TOP VIEW

DESK MOUNTING POSITION



BOTTOM VIEW

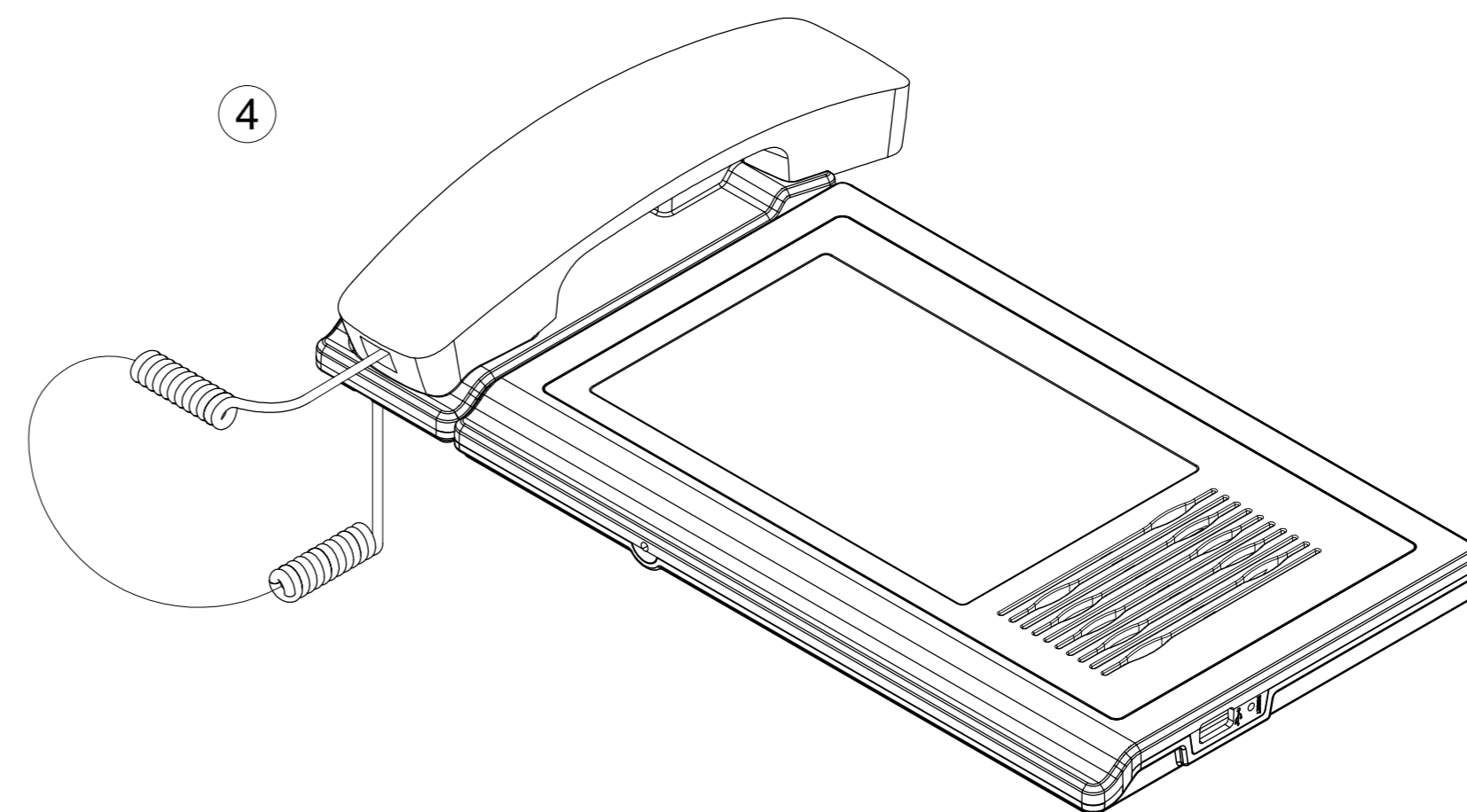
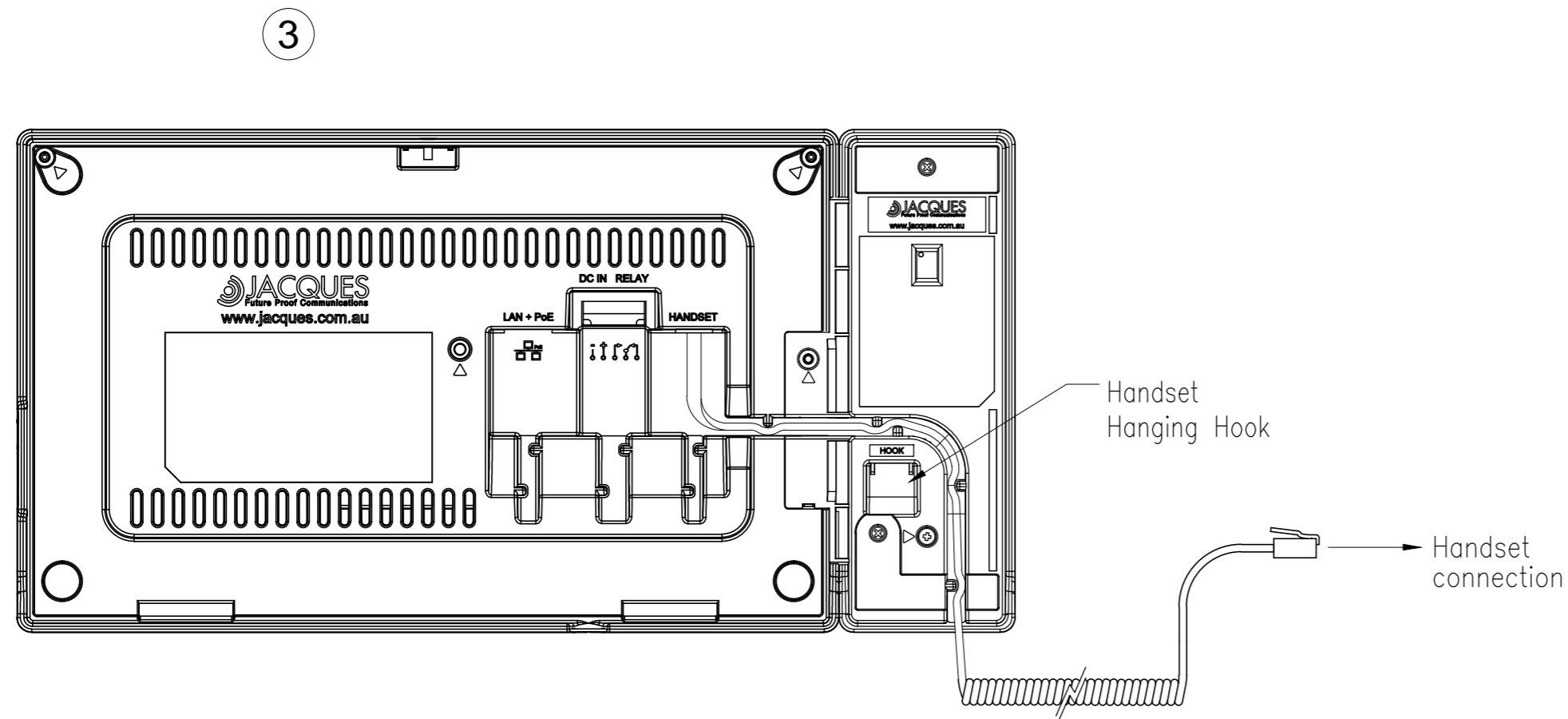
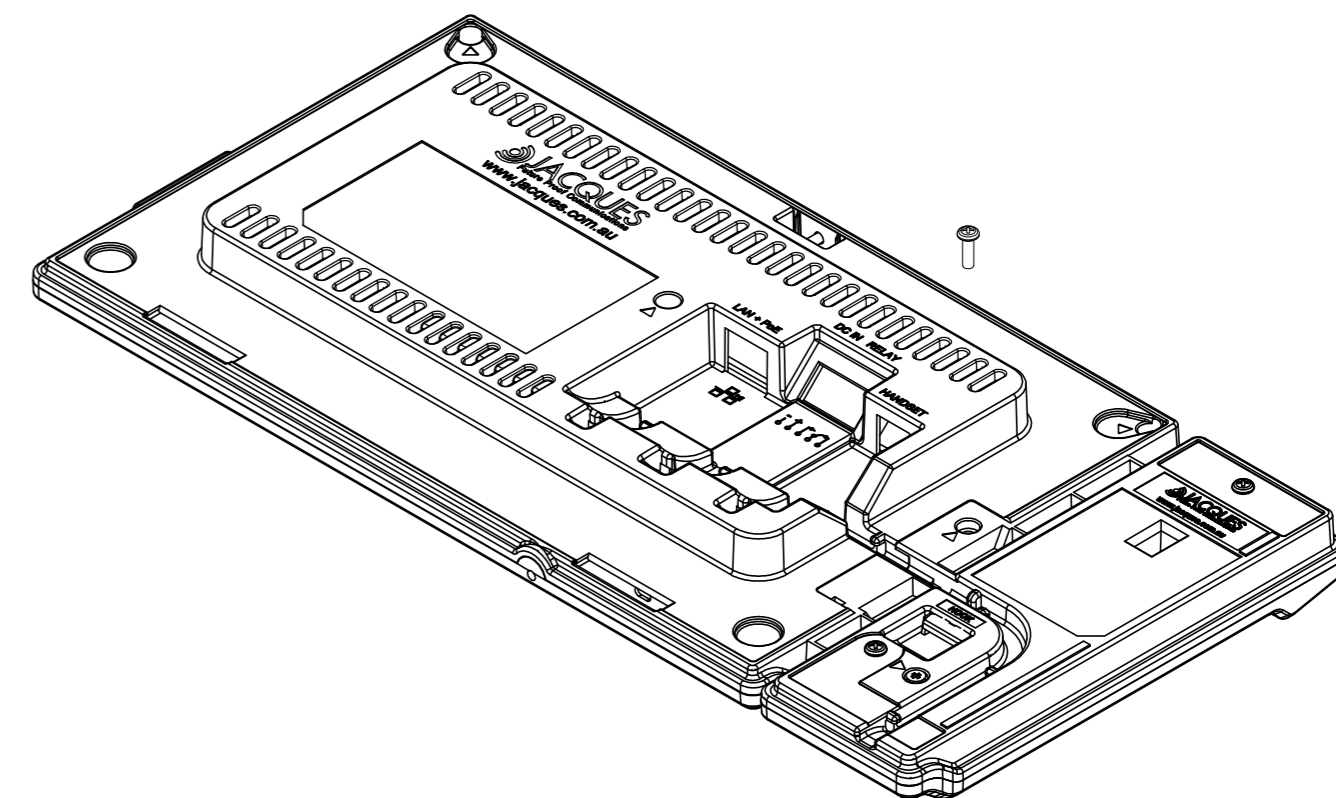
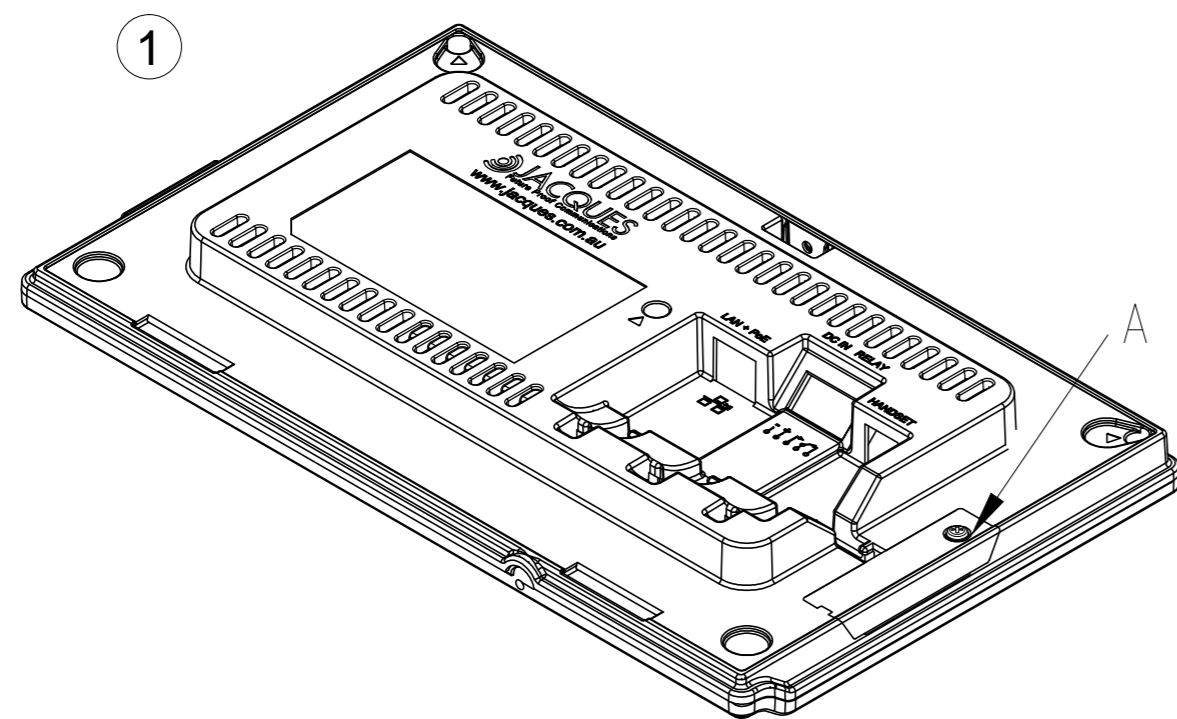
SUGGESTED POSITIONS SHOWING  
FITTING OF BUMPON FEET.

FIRST USE & REVISION NOTES		DATE	INIT	JACQUES ELECTRONICS		
1. SHEET 5 ADDED SHOWING SURFACE MOUNTING DETAILS.		24/07/12	LFB	VMS-750x VIDEO INTERCOM MONITOR STATION INSTALLATION DETAILS		
SIZE A1	ADAPTED FROM	REVISION 1	SCALE N.T.S.		SHEET 2 OF 5	
DATE 28/01/2011	DRAWN: CHECKED:	L.F.Buchly				
DWG No. VMS-750x INS-1						

DO NOT SCALE

IF IN DOUBT - ASK!

### ATTACHING HANDSET TO VMS-750



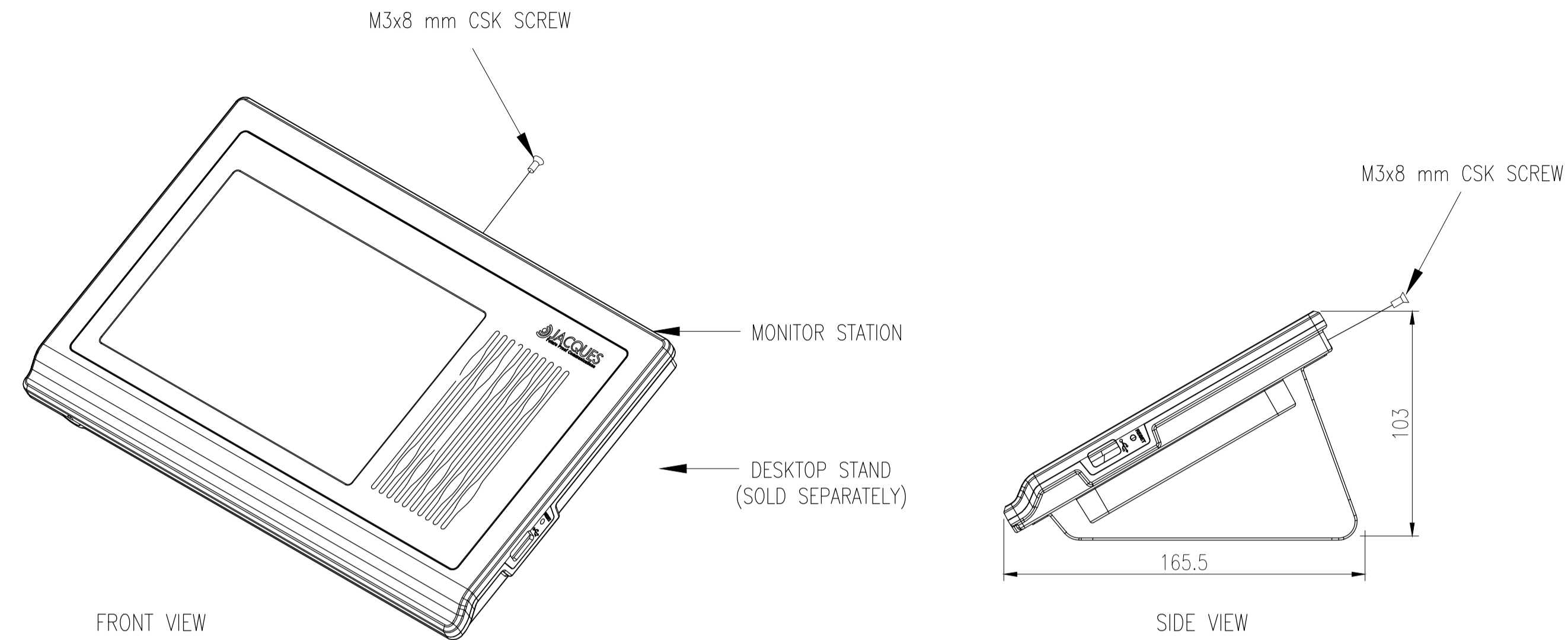
#### INSTRUCTIONS

1. REMOVE SCREW AND HANDSET MOUNTING COVER (A) FROM MONITOR STATION.
2. ATTACH HANDSET CRADLE TO THE SIDE OF THE MONITOR STATION. SECURE REUSING THE SCREW WHICH PREVIOUSLY HELD THE COVER.
3. FOR WALL MOUNTED INSTALLATION - REMOVE THE HANGING HOOK FROM THE REAR AND INSERT IT'S PINS INTO THE HOLES AT THE EARPIECE END OF THE CRADLE.
3. PLUG THE LONGER TAIL END OF HANDSET CABLE INTO 'HANDSET' SOCKET IN THE MONITOR STATION. ROUTE THE CABLE ALONG THE RECESSED CHANNEL AS SHOWN.
5. PLUG THE OTHER END OF HANDSET CABLE INTO HANDSET SOCKET.

FIRST USE & REVISION NOTES		DATE	INIT	JACQUES ELECTRONICS			
1. SHEET 5 ADDED SHOWING SURFACE MOUNTING DETAILS.		24/07/12	LFB	VMS-750x VIDEO INTERCOM MONITOR STATION INSTALLATION DETAILS			
SIZE A2	ADAPTED FROM	REVISION 1		SCALE N.T.S.			
DATE 28/01/2011	DRAWN: CHECKED:	L.F.Buchly		SHEET 3 OF 5			
DWG No. VMS-750x INS-1							

### MONITOR STATION DESKTOP STAND

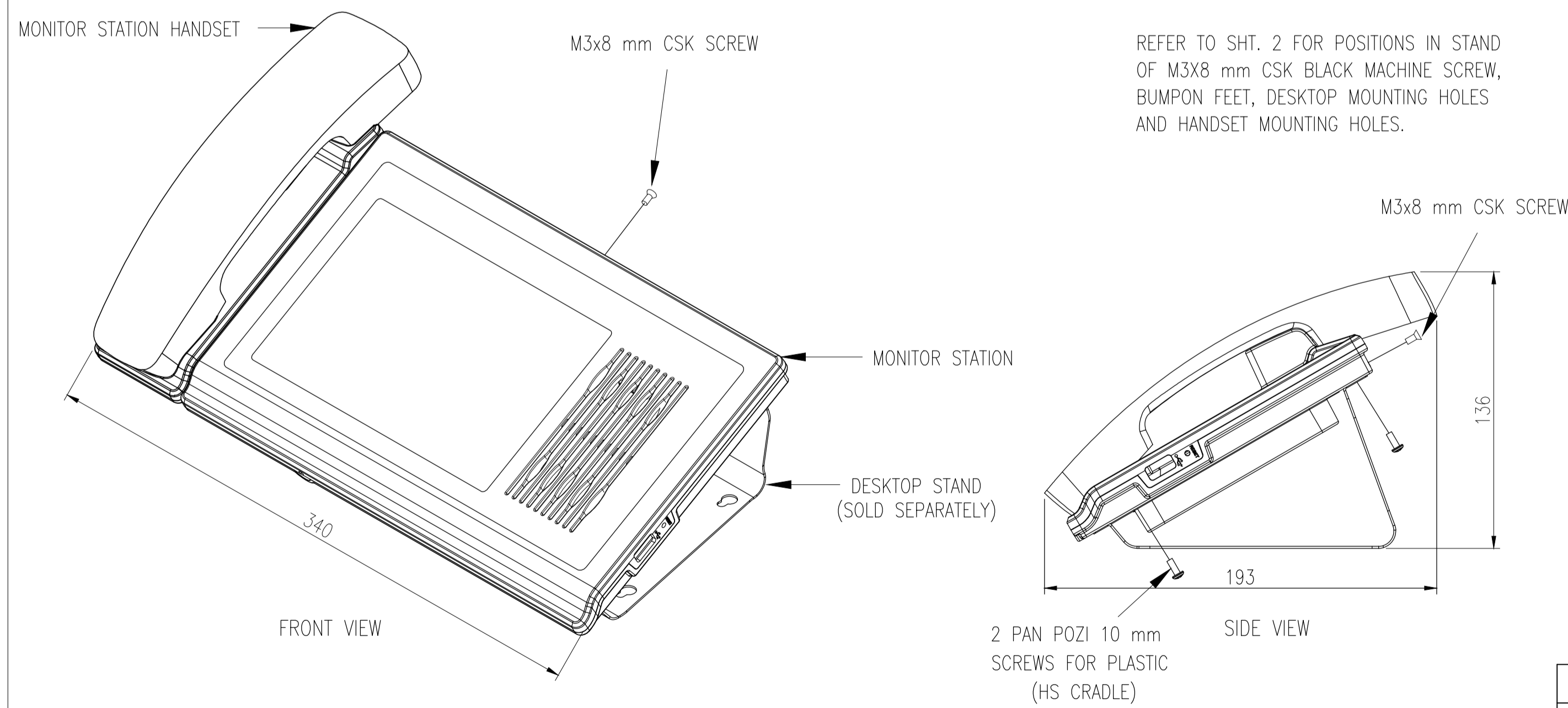
DO NOT SCALE  
IF IN DOUBT - ASK!



FOR FIXED DESKTOP MOUNTING:-  
LEAVE BUMPON FEET UNATTACHED.  
PRIOR TO ATTACHING THE STAND TO MONITOR STATION, USE THE STAND KEYHOLES TO MARK DESK SCREW POSITIONS. USE SCREWS SUITABLE FOR THE KEYHOLE SIZE. POSITION THE MONITOR STATION INTO THE STAND, FIRST ENGAGING THE BOTTOM TABS, THEN FOLDING BACK TO ENGAGE THE TOP SCREW TAB. FIT M3x8 SCREW TO FIX IT IN PLACE.

REFER TO SHT. 2 FOR POSITIONS IN STAND OF M3X8 mm CSK BLACK MACHINE SCREW, BUMPON FEET AND DESKTOP MOUNTING HOLES.

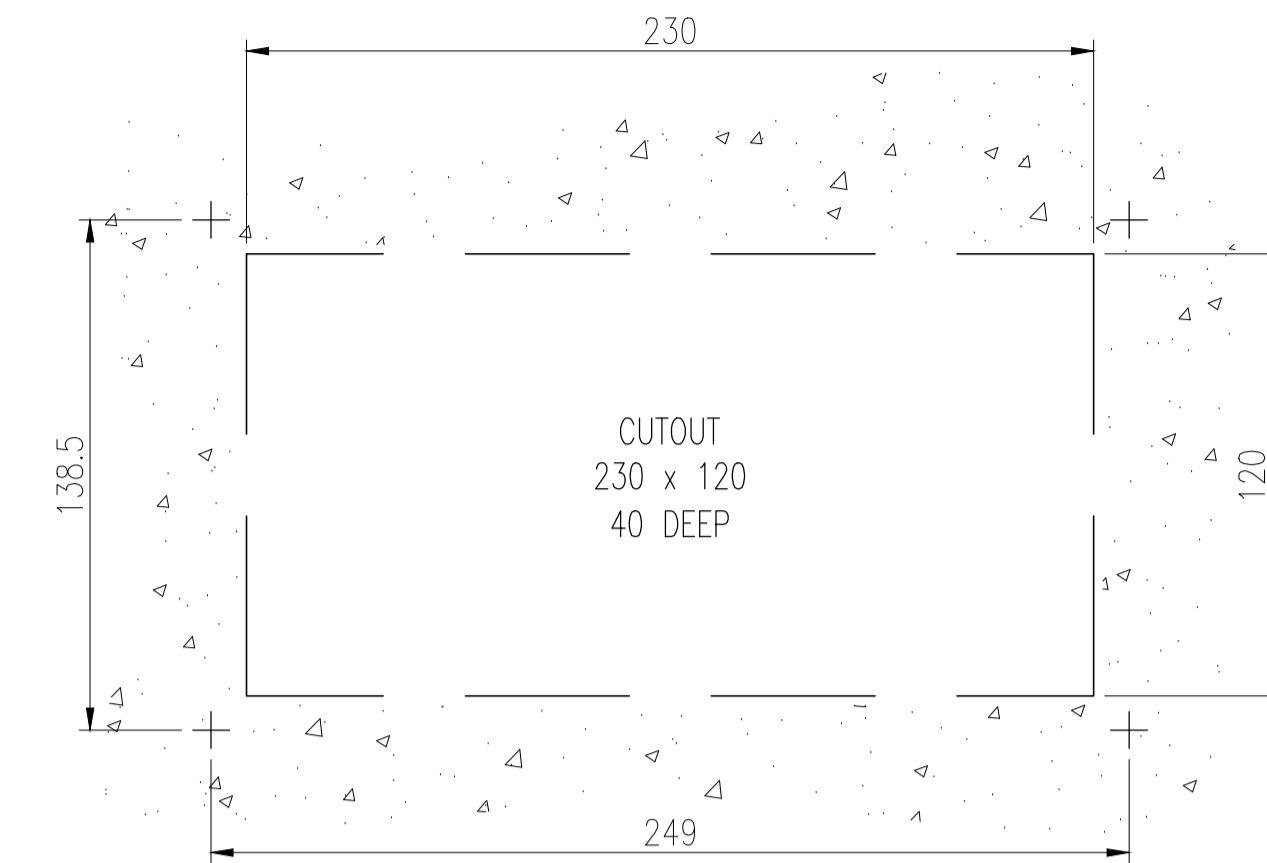
### MONITOR STATION WITH HANDSET DESKTOP STAND



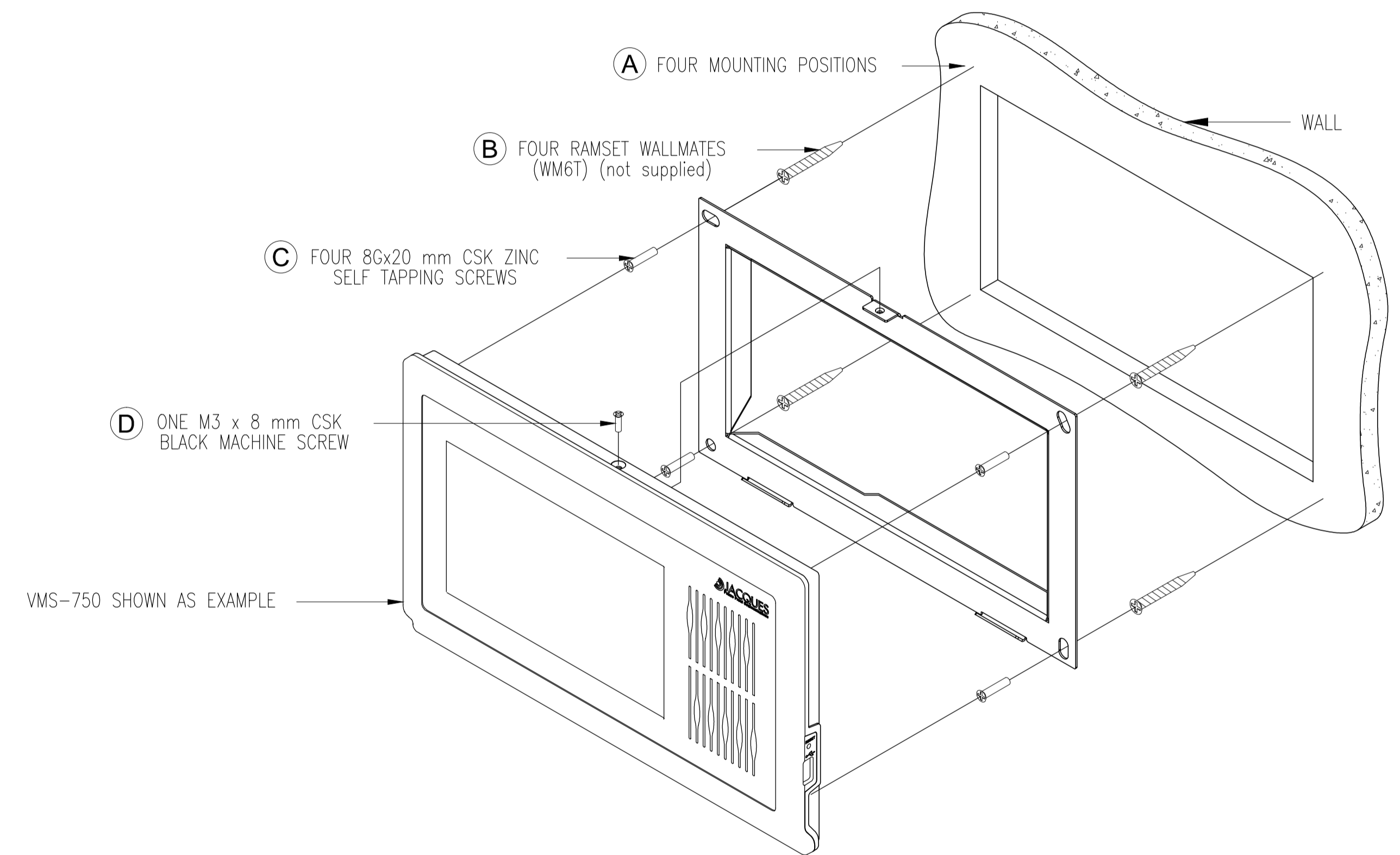
FOR FIXED DESKTOP MOUNTING:-  
LEAVE BUMPON FEET UNATTACHED.  
PRIOR TO ATTACHING THE STAND TO MONITOR STATION, USE THE STAND KEYHOLES TO MARK DESK SCREW POSITIONS. USE SCREWS SUITABLE FOR THE KEYHOLE SIZE. THE STAND MUST BE FIXED TO THE MONITOR STATION AND CRADLE BEFORE DESK MOUNTING. PRE-ADJUST THE DESK SCREWS SUCH THAT THE BRACKET KEYHOLES CAN SLIDE FIRMLY INTO PLACE.

REFER TO SHT. 2 FOR POSITIONS IN STAND OF M3X8 mm CSK BLACK MACHINE SCREW, BUMPON FEET, DESKTOP MOUNTING HOLES AND HANDSET MOUNTING HOLES.

### MONITOR STATION WITH OR WITHOUT HANDSET WALL MOUNTING DETAILS



MOUNTING POSITIONS AND CUTOUT IN WALL



INSTALLATION INSTRUCTIONS:

- CUT RECTANGULAR HOLE IN THE WALL 230 mm WIDE AND 120 mm TALL.
- MARK FOUR MOUNTING POSITIONS ON WALL PANEL USING WALL MOUNTING FRAME AS TEMPLATE. (A)
- SCREW FOUR RAMSET WALLMATES (WM6T) (NOT SUPPLIED) INTO MARKED POSITIONS. (B)
- SECURE WALL MOUNTING PLATE IN WALL PANEL USING FOUR 8G X 20 mm CSK ZINC SELF TAPPING SCREWS. (C)
- SLIDE THE MONITOR STATION DOWN AT A SHALLOW ANGLE TO ENGAGE THE BOTTOM BRACKET TABS. FOLD BACKBOX TO (D) VERTICAL AND SECURE WITH M3x8 CSK SCREW.

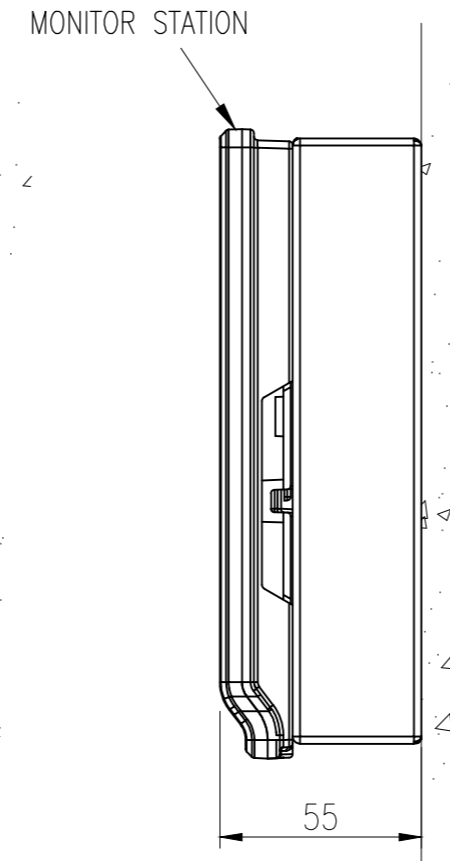
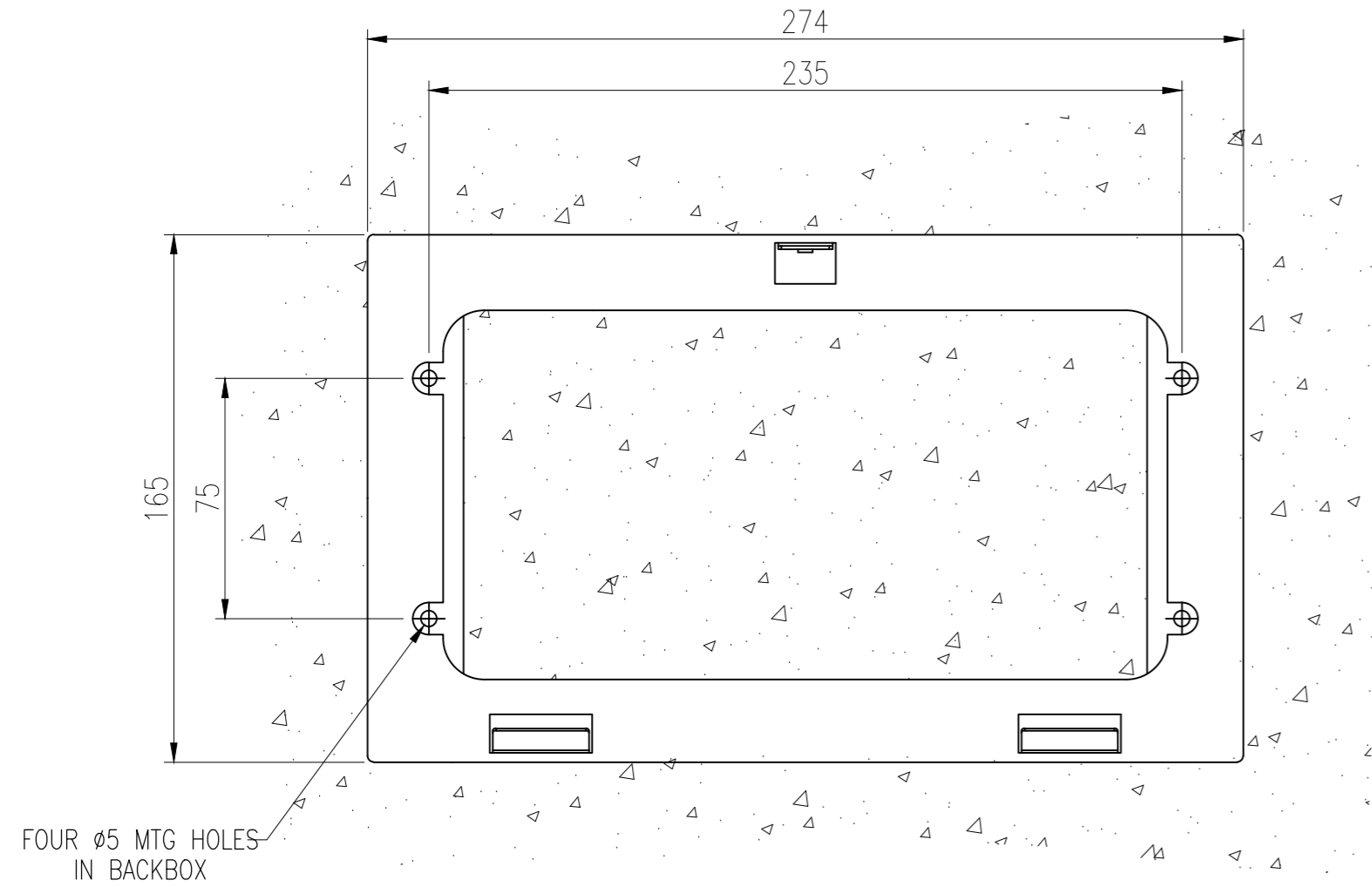
FIRST USE & REVISION NOTES		DATE	INIT	JACQUES ELECTRONICS		
1. SHEET 5 ADDED SHOWING SURFACE MOUNTING DETAILS.		24/07/12	LFB	VMS-750x VIDEO INTERCOM MONITOR STATION		
INSTALLATION DETAILS						
SIZE A1	ADAPTED FROM	REVISION 1	SCALE N.T.S.		SHEET 4 OF 5	
DATE 28/01/2011	DRAWN: L.F.Buchly	CHECKED:				
DWG No. VMS-750x INS-1						

DO NOT SCALE

IF IN DOUBT - ASK!

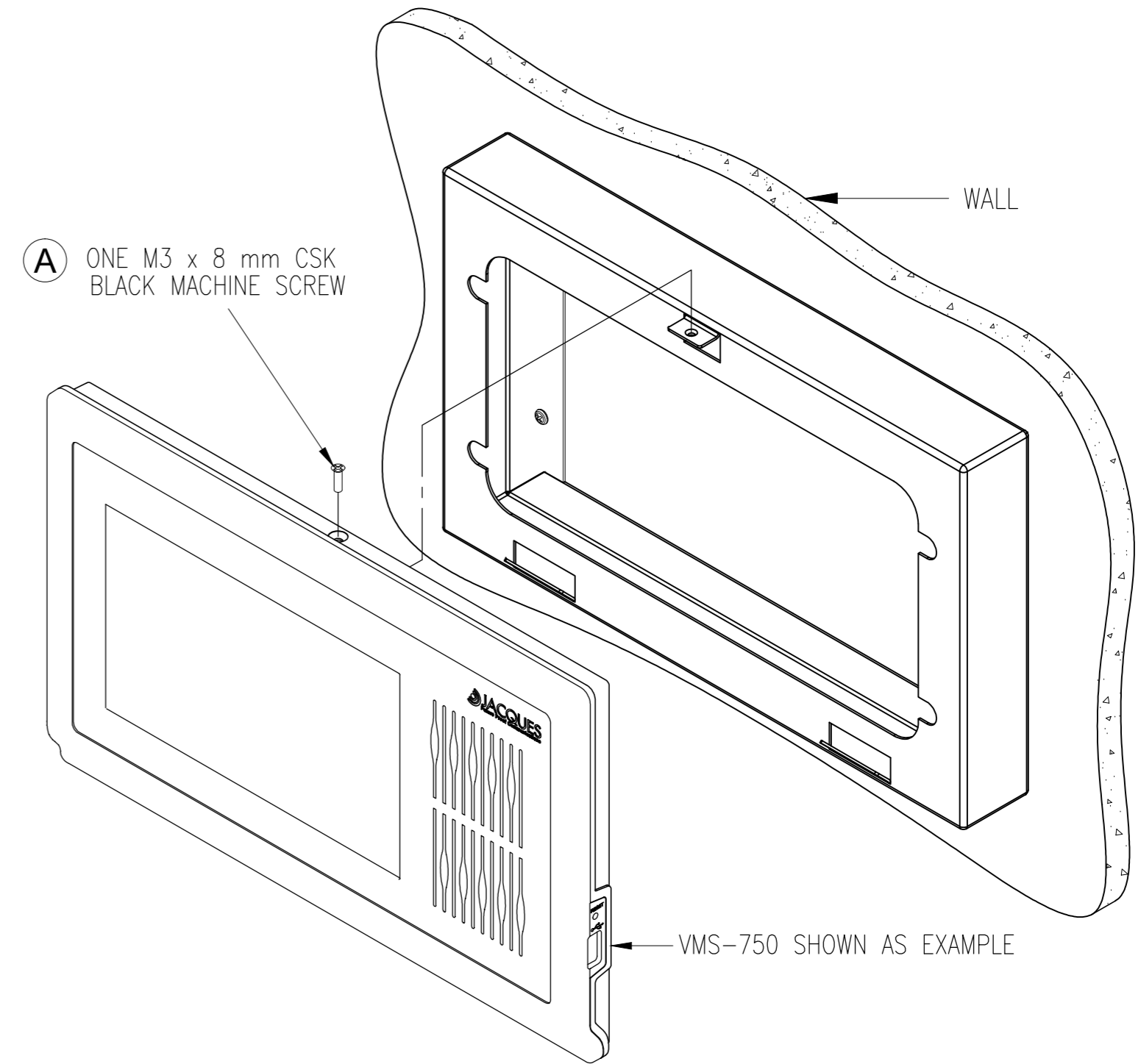
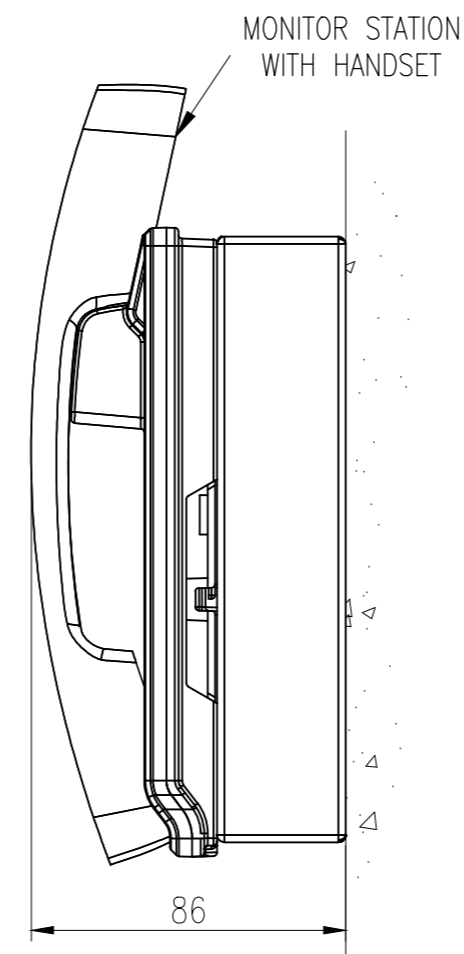
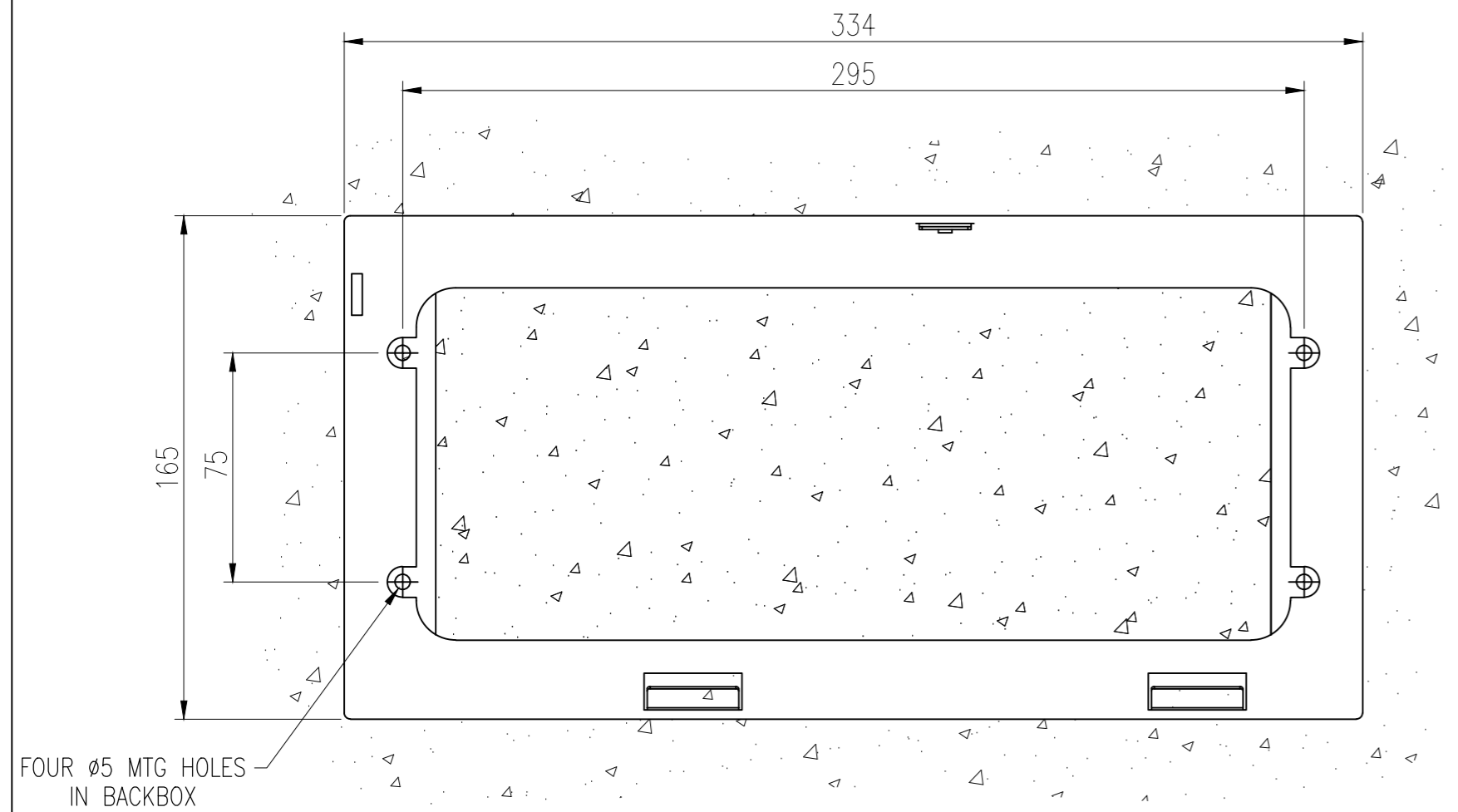
### SURFACE MOUNTING DETAILS

SWE-13 (FOR MONITOR STATION WITHOUT HANDSET)



SIDE VIEW

SWE-14 (FOR MONITOR STATION WITH HANDSET)



INSTALLATION INSTRUCTIONS:

1. THE REAR OF THE BACKBOX HAS A LARGE OPENING, THUS ALLOWING FOR CABLE ENTRY FROM THE WALL. IF CABLE ENTRY FROM THE SIDE, TOP OR BOTTOM IS REQUIRED, A HOLE MAY BE MADE USING A METAL CUTTING HOLE SAW, FOR A CONDUIT CONNECTION.
2. WHEN CHOOSING A CABLE ENTRY POSITION, CONSIDER THE MINIMUM BENDING RADIUS FOR THE CABLE(S). THE VMS-750x, WHEN MOUNTED IN THIS BACKBOX, HAS A MINIMUM 20 mm CLEARANCE AVAILABLE FOR CABLE ROUTING.
3. SLIDE THE MONITOR STATION DOWN AT A SHALLOW ANGLE TO ENGAGE THE BOTTOM BRACKET TABS. FOLD BACK TO VERTICAL AND SECURE WITH M3x8 CSK SCREW.

FIRST USE & REVISION NOTES		DATE	INIT	<b>JACQUES ELECTRONICS</b>	
1. SHEET 5 ADDED SHOWING SURFACE MOUNTING DETAILS.		24/07/12	LFB		
SIZE	ADAPTED FROM	REVISION	SCALE		
A2		1	N.T.S.		
DATE	DRAWN:	L.F.Buchly	SHEET		
24/07/2012	CHECKED:		5 OF 5		
DWG No. VMS-750x INS-1					